

11.2025

MAS
TOOLS & ENGINEERING



Bohr- und Reibwerkzeuge mit HM-Wechselschneide

Drilling and Reaming Tools with Interchangeable Carbide Inserts



mas-tools.de

LEONBERG

SCAN ME!



Inhalt

Bohr- und Reibwerkzeuge mit HM-Wechselschneide

Bohrerprogramm

YTDI-FSLK - Wechselschneidenbohrer für die allgemeine Anwendung	4
KRUZ "K"-Serie - Wechselschneidenbohrer für den Stahlbau	12
KRUZ "K"-Serie: Bohrkörper & Bohreinsätze, kurze Ausführung, Metrisch	13
KRUZ-FSLK: Bohrkörper (5xD), IDFK & IDPK Bohreinsätze	15
KRUZ-FSLK: Bohrkörper (7xD), IDFK & IDPK Bohreinsätze	18
KRUZ Sonder: Stufenbohrer Grundkörper	21
X-Serie - für anspruchsvolle Anwendungen und exotische Materialien NEU	22

Reibprogramm

YTRI - Auswechselbare Hartmetall-Reibköpfe	31
YSR - VHM-Hochleistungsreibahle mit H7 Toleranz	32



Content

Drilling and Reaming Tools with Interchangeable Carbide Inserts

Drilling program

YTDI-FSLK - Interchangeable insert drill for general-purpose machining	4
KRUZ "K"-Serie - Interchangeable insert drill for structural steel applications	12
KRUZ "K"-Serie: Drill bodies and inserts, short version, metric	13
KRUZ-FSLK: Drill bodies (5xD), IDFK & IDPK inserts	15
KRUZ-FSLK: Drill bodies (7xD), IDFK & IDPK inserts	18
KRUZ Special: Step Drill bodies	21
X-Serie - for demanding applications and exotic materials NEW	22

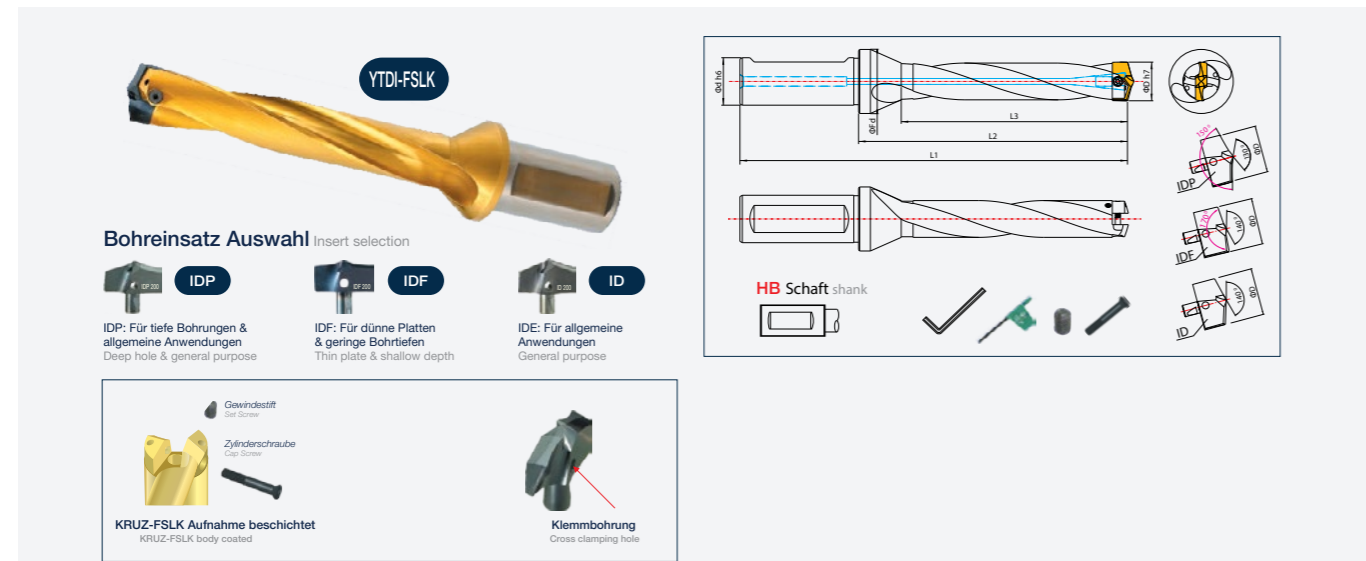
Reaming program

YTRI - Interchangeable solid carbide reaming heads	31
YSR - Solid carbide high-performance reamer with H7 tolerance	32



YTDI-FSLK - Wechselschneidenbohrer für die allgemeine Anwendung

YTDI-FSLK - Interchangeable insert drill for general-purpose machining



- Robuster Grundkörper zur Vermeidung von Vibrationen Rugged flange type body to prevent vibration
- Auswechselbare "IDP", "IDF", "ID" Bohreinsätze Interchangeable "IDP", "IDF", "ID" carbide drill inserts
- Der Bohrkörper besteht aus hochwertigem Werkzeugstahl Drill body consists of premium tool steel
- Erhöhte Standzeit durch stabilen Bohrprozess Increased service life thanks to stable drilling process
- Mit innerer Kühlmittel-Zufuhr Internal coolant fed design

Bohrbereich Drilling range	Halter Art.Nr. Body Item No.	Schaft- aus- führung Ød Shank Ød	Bohrtiefe L/D Cutting depth L/D	L1	L2	L3	Flansch- durch- messer (ØFd) Flanged dia.(ØFd)	Bohreinsatz Art.Nr. Insert Item No.to fit in body IDP IDF ID	Kopf- schraube Cap Screw	Torx- Schrau- ben- schlüssel Torx driver	Gewinde stift Set Screw	Innen 6-Kant Schrau- ben- schlüssel L-wrench
Ø8.0 - Ø8.4	YTDI 080 □ FSLK	10.0 (HA)	T(3xD)	87	42	32	18	IDP080Y+ - IDP084Y+ IDF080 - IDF084 ID080 - ID084	CS 080 -085 SL	T6-Torx 0.6Nm (Max)	None	None
Ø8.5 - Ø8.9	YTDI 085 □ FSLK		P(5xD)	103	58	48		IDP085Y+ - IDP089Y+ IDF085 - IDF089 ID085 - ID089				
			H(7xD)	119	74	64		IDP090Y+ - IDP094Y+ IDF090 - IDF094 ID090 - ID094				
			L(10xD)	143	98	88						
Ø9.0 - Ø9.4	YTDI 090 □ FSLK		T(3xD)	89	44	34		IDP095Y+ - IDP099Y+ IDF095 - IDF099 ID095 - ID099				
			P(5xD)	106	61	51						
			H(7xD)	123	78	68						
Ø9.5 - Ø9.9	YTDI 095 □ FSLK		L(10xD)	149	104	94		IDP100Y+ - IDP104Y+ IDF100 - IDF104 ID100 - ID104				
			T(3xD)	92	47	36						
			P(5xD)	110	65	54						
Ø10.0 - Ø10.4	YTDI 100 □ FSLK		H(7xD)	128	83	72		IDP105Y+ - IDP109Y+ IDF105 - IDF109 ID105 - ID109				
			L(10xD)	155	110	99						
		T(3xD)	97	49	38							
Ø10.5 - Ø10.9	YTDI 105 □ FSLK	P(5xD)	116	68	57	IDP110Y+ - IDP114Y+ IDF110 - IDF114 ID110 - ID114						
		H(7xD)	135	87	76							
		L(10xD)	164	116	105							
Ø10.0 - Ø10.4	YTDI 100 □ FSLK	T(3xD)	99	51	40	IDP115Y+ - IDP119Y+ IDF115 - IDF119 ID115 - ID119						
		P(5xD)	119	71	60							
		H(7xD)	139	91	80							
Ø10.5 - Ø10.9	YTDI 105 □ FSLK	L(10xD)	169	121	110	IDP120Y+ - IDP124Y+ IDF120 - IDF124 ID120 - ID124						
		T(3xD)	102	54	42							
		P(5xD)	123	75	63							
Ø10.5 - Ø10.9	YTDI 105 □ FSLK	H(7xD)	144	96	84	IDP125Y+ - IDP129Y+ IDF125 - IDF129 ID125 - ID129						
		L(10xD)	176	128	116							
		T(3xD)	109	63	50							
Ø12.0 - Ø12.4	YTDI 120 □ FSLK	P(5xD)	133	85	72	IDP130Y+ - IDP134Y+ IDF130 - IDF134 ID130 - ID134						
		H(7xD)	157	109	96							
		L(10xD)	193	145	132							
Ø12.5 - Ø12.9	YTDI 125 □ FSLK	T(3xD)	111	63	50	IDP135Y+ - IDP139Y+ IDF135 - IDF139 ID135 - ID139						
		P(5xD)	136	88	75							
		H(7xD)	161	113	100							
Ø13.0 - Ø13.4	YTDI 130 □ FSLK	L(10xD)	199	151	138	IDP140Y+ - IDP144Y+ IDF140 - IDF144 ID140 - ID144						
		T(3xD)	114	66	52							
		P(5xD)	140	92	78							
Ø13.5 - Ø13.9	YTDI 135 □ FSLK	H(7xD)	166	118	104	IDP145Y+ - IDP149Y+ IDF145 - IDF149 ID145 - ID149						
		L(10xD)	205	157	143							
		T(3xD)	116	68	54							
Ø14.0 - Ø14.4	YTDI 140 □ FSLK	P(5xD)	143	95	81	IDP150Y+ - IDP154Y+ IDF150 - IDF154 ID150 - ID154						
		H(7xD)	170	122	108							
		L(10xD)	211	163	149							
Ø14.5 - Ø14.9	YTDI 145 □ FSLK	T(3xD)	119	71	56	IDP155Y+ - IDP159Y+ IDF155 - IDF159 ID155 - ID159						
		P(5xD)	147	99	84							
		H(7xD)	175	127	112							
Ø15.0 - Ø15.4	YTDI 150 □ FSLK	L(10xD)	217	169	154	IDP160Y+ - IDP164Y+ IDF160 - IDF164 ID160 - ID164						
		T(3xD)	123	73	58							
		P(5xD)	152	102	87							
Ø15.5 - Ø15.9	YTDI 155 □ FSLK	H(7xD)	181	131	116	IDP165Y+ - IDP169Y+ IDF165 - IDF169 ID165 - ID169						
		L(10xD)	225	175	160							
		T(3xD)	127	77	60							
Ø16.0 - Ø16.4	YTDI 160 □ FSLK	P(5xD)	157	107	90	IDP170Y+ - IDP174Y+ IDF170 - IDF174 ID170 - ID174						
		H(7xD)	187	137	120							
		L(10xD)	232	182	165							
Ø16.5 - Ø16.9	YTDI 165 □ FSLK	T(3xD)	130	80	62	IDP175Y+ - IDP179Y+ IDF175 - IDF179 ID175 - ID179						
		P(5xD)	161	111	93							
		H(7xD)	192	142	124							
Ø17.0 - Ø17.4	YTDI 170 □ FSLK	L(10xD)	239	189	171	IDP180Y+ - IDP184Y+ IDF180 - IDF184 ID180 - ID184						
		T(3xD)	132	82	64							
		P(5xD)	164	114	96							
Ø17.0 - Ø17.4	YTDI 170 □ FSLK	H(7xD)	196	146	128	IDP185Y+ - IDP189Y+ IDF185 - IDF189 ID185 - ID189						
		L(10xD)	244	194	176							
		T(3xD)	135	85	66							
Ø17.0 - Ø17.4	YTDI 170 □ FSLK	P(5xD)	168	118	99	IDP190Y+ - IDP194Y+ IDF190 - IDF194 ID190 - ID194						
		H(7xD)	201	151	132							
		L(10xD)	251	201	182							
Ø17.0 - Ø17.4	YTDI 170 □ FSLK	T(3xD)	137	87	68	IDP195Y+ - IDP199Y+ IDF195 - IDF199 ID195 - ID199						
		P(5xD)	171	121	102							
		H(7xD)	205	155	136							
Ø17.0 - Ø17.4	YTDI 170 □ FSLK	L(10xD)	256	206	187	IDP200Y+ - IDP204Y+ IDF200 - IDF204 ID200 - ID204						

Gewünschte Bohrtiefe □ z. B. T, P, H, L
Required cutting depth in the □ like T, P, H, L


YTDI-FSLK - Wechselschneidenbohrer für die allgemeine Anwendung

YTDI-FSLK - Interchangeable insert drill for general-purpose machining

Bohrbereich Drilling range	Halter Art.Nr. Body Item No.	Schaft- aus- führung Ød Shank Ød	Bohrtiefe L/D Cutting depth L/D	L1	L2	L3	Flansch- durch- messer (ØFd) Flanged dia.(ØFd)	Bohreinsatz Art.Nr. Insert Item No.to fit in body IDP IDF ID	Kopf- schraube Cap Screw	Torx- Schrau- ben- schlüssel Torx driver	Gewinde stift Set Screw	Innen 6-Kant Schrau- ben- schlüssel L-wrench
Ø11.0 - Ø11.4	YTDI 110 □ FSLK	12.0 (HA) (48)	T(3xD)	104	56	44	18	IDP110Y+ - IDP114Y+ IDF110 - IDF114 ID110 - ID114	CS 100 -115 SL		None	None
			P(5xD)	126	78	66						
			H(7xD)	148	100	88						
Ø11.5 - Ø11.9	YTDI 115 □ FSLK		T(3xD)	107	59	46		IDP115Y+ - IDP119Y+ IDF115 - IDF119 ID115 - ID119				
			P(5xD)	130	82	69						
			H(7xD)	153	105	92						
Ø12.0 - Ø12.4	YTDI 120 □ FSLK		L(10xD)	188	140	127		IDP120Y+ - IDP124Y+ IDF120 - IDF124 ID120 - ID124				
			T(3xD)	109	61	48						
			P(5xD)	133	85	72						
Ø12.5 - Ø12.9	YTDI 125 □ FSLK		H(7xD)	157	109	96		IDP125Y+ - IDP129Y+ IDF125 - IDF129 ID125 - ID129				
			L(10xD)	193	145	132						
			T(3xD)	111	63	50						
Ø13.0 - Ø13.4	YTDI 130 □ FSLK	P(5xD)	136	88	75	IDP130Y+ - IDP134Y+ IDF130 - IDF134 ID130 - ID134						
		H(7xD)	161	113	100							
		L(10xD)	199	151	138							
Ø13.5 - Ø13.9	YTDI 135 □ FSLK	T(3xD)	114	66	52	IDP135Y+ - IDP139Y+ IDF135 - IDF139 ID135 - ID139						
		P(5xD)	140	92	78							
		H(7xD)	166	118	104							
Ø14.0 - Ø14.4	YTDI 140 □ FSLK	L(10xD)	205	157	143	IDP140Y+ - IDP144Y+ IDF140 - IDF144 ID140 - ID144						
		T(3xD)	116	68	54							
		P(5xD)	143	95	81							
Ø14.5 - Ø14.9	YTDI 145 □ FSLK	H(7xD)	170	122	108	IDP145Y+ - IDP149Y+ IDF145 - IDF149 ID145 - ID149						
		L(10xD)	211	163	149							
		T(3xD)	119	71	56							
Ø15.0 - Ø15.4	YTDI 150 □ FSLK	P(5xD)	147	99	84	IDP150Y+ - IDP154Y+ IDF150 - IDF154 ID150 - ID154						
		H(7xD)	175	127	112							
		L(10xD)	217	169	154							
Ø15.5 - Ø15.9	YTDI 155 □ FSLK	T(3xD)	123	73	58	IDP155Y+ - IDP159Y+ IDF155 - IDF159 ID155 - ID159						
		P(5xD)	152	102	87							
		H(7xD)	181	131	116							
Ø16.0 - Ø16.4	YTDI 160 □ FSLK	L(10xD)	225	175	160	IDP160Y+ - IDP164Y+ IDF160 - IDF164 ID160 - ID164						
		T(3xD)	127	77	60							
		P(5xD)	157	107	90							
Ø16.5 - Ø16.9	YTDI 165 □ FSLK	H(7xD)	187	137	120	IDP165Y+ - IDP169Y+ IDF165 - IDF169 ID165 - ID169						
		L(10xD)	232	182	165							
		T(3xD)	130	80	62							
Ø17.0 - Ø17.4	YTDI 170 □ FSLK	P(5xD)	161	111	93	IDP170Y+ - IDP174Y+ IDF170 - IDF174 ID170 - ID174						
		H(7xD)	192	142	124							
		L(10xD)	239	189	171							
Ø17.0 - Ø17.4	YTDI 170 □ FSLK	T(3xD)	132	82	64	IDP175Y+ - IDP179Y+ IDF175 - IDF179 ID175 - ID179						
		P(5xD)	164	114	96							
		H(7xD)	196	146	128							
Ø17.0 - Ø17.4	YTDI 170 □ FSLK	L(10xD)	244	194	176	IDP180Y+ - IDP184Y+ IDF180 - IDF184 ID180 - ID184						
		T(3xD)	135	85	66							
		P(5xD)	168	118	99							
Ø17.0 - Ø17.4	YTDI 170 □ FSLK	H(7xD)	201	151	132	IDP185Y+ - IDP189Y+ IDF185 - IDF189 ID185 - ID189						
		L(10xD)	251	201	182							
		T(3xD)	137	87	68							
Ø17.0 - Ø17.4	YTDI 170 □ FSLK	P(5xD)	171	121	102	IDP190Y+ - IDP194Y+ IDF190 - IDF194 ID190 - ID194						
		H(7xD)	205	155	136							
		L(10xD)	256	206	187							


YTDI-FSLK - Wechselschneidenbohrer für die allgemeine Anwendung

YTDI-FSLK - Interchangeable insert drill for general-purpose machining

Bohrbereich Drilling range	Halter Art.Nr. Body Item No.	Schaft- aus- führung Ød Shank Ød	Bohrtiefe L/D Cutting depth L/D	L1	L2	L3	Flansch- durch- messer (ØFd) Flanged dia.(ØFd)	Bohreinsatz Art.Nr. Insert Item No.to fit in body  IDP IDF ID	Kopf- schraube Cap Screw	Torx- Schrau- ben- schlüssel Torx driver	Gewinde stift Set Screw	Innen 6-Kant Schrau- ben- schlüssel L-wrench		
Ø17.5 - Ø17.9	YTDI 175 □ FSLK	20.0 (HB) (50)	T(3xD)	139	89	70	27	IDP175Y+ – IDP179Y+ IDF175 – IDF179 ID175 – ID179	CS 160 -175 SL	T7-Torx		✓		
			P(5xD)	174	124	105								
			H(7xD)	209	159	140								
			L(10xD)	262	212	193								
Ø18.0 - Ø18.4	YTDI 180 □ FSLK		T(3xD)	142	92	72		IDP180Y+ – IDP184Y+ IDF180 – IDF184 ID180 – ID184	CS 180 -195 SL	T7-Torx				✓
			P(5xD)	178	128	108								
			H(7xD)	214	164	144								
			L(10xD)	268	218	198								
Ø18.5 - Ø18.9	YTDI 185 □ FSLK		T(3xD)	144	94	74		IDP185Y+ – IDP189Y+ IDF185 – IDF189 ID185 – ID189	CS 180 -195 SL	T7-Torx			M2. 5x4	1.3mm
			P(5xD)	181	131	111								
			H(7xD)	218	168	148								
			L(10xD)	274	224	204								
Ø19.0 - Ø19.4	YTDI 190 □ FSLK	T(3xD)	147	97	76	IDP190Y+ – IDP194Y+ IDF190 – IDF194 ID190 – ID194	CS 180 -195 SL	T7-Torx						
		P(5xD)	185	135	114									
		H(7xD)	223	173	152									
		L(10xD)	280	230	209									
Ø19.5 - Ø19.9	YTDI 195 □ FSLK	T(3xD)	149	99	78	IDP195Y+ – IDP199Y+ IDF195 – IDF199 ID195 – ID199	CS 180 -195 SL	T7-Torx						
		P(5xD)	188	138	117									
		H(7xD)	227	177	156									
		L(10xD)	286	236	215									
Ø20.0 - Ø20.4	YTDI 200 □ FSLK	T(3xD)	157	101	80	IDP200Y+ – IDP204Y+ IDF200 – IDF204 ID200 – ID204	CS 200 -215 SL	T8 -Torx						
		P(5xD)	197	141	120									
		H(7xD)	237	181	160									
		L(10xD)	297	241	220									
Ø20.5 - Ø20.9	YTDI 205 □ FSLK	T(3xD)	160	104	82	IDP205Y+ – IDP209Y+ IDF205 – IDF209 ID205 – ID209	CS 200 -215 SL	T8 -Torx						
		P(5xD)	201	145	123									
		H(7xD)	242	186	164									
		L(10xD)	304	248	226									
Ø21.0 - Ø21.4	YTDI 210 □ FSLK	T(3xD)	162	106	84	IDP210Y+ – IDP214Y+ IDF210 – IDF214 ID210 – ID214	CS 200 -215 SL	T8 -Torx						
		P(5xD)	204	148	126									
		H(7xD)	246	190	168									
		L(10xD)	309	253	231									
Ø21.5 - Ø21.9	YTDI 215 □ FSLK	T(3xD)	165	109	86	IDP215Y+ – IDP219Y+ IDF215 – IDF219 ID215 – ID219	CS 200 -215 SL	T8 -Torx						
		P(5xD)	208	152	129									
		H(7xD)	251	195	172									
		L(10xD)	316	260	237									
Ø22.0 - Ø22.4	YTDI 220 □ FSLK	T(3xD)	167	111	88	IDP220Y+ – IDP224Y+ IDF220 – IDF224 ID220 – ID224	CS 200 -215 SL	T8 -Torx						
		P(5xD)	211	155	132									
		H(7xD)	255	199	176									
		L(10xD)	321	265	242									
Ø22.5 - Ø22.9	YTDI 225 □ FSLK	T(3xD)	169	113	90	IDP225Y+ – IDP229Y+ IDF225 – IDF229 ID225 – ID229	CS 220 -235 SL	T8 -Torx						
		P(5xD)	214	158	135									
		H(7xD)	259	203	180									
		L(10xD)	327	271	248									
Ø23.0 - Ø23.4	YTDI 230 □ FSLK	T(3xD)	172	116	92	IDP105Y+ – IDP109Y+ IDF105 – IDF109 ID105 – ID109	CS 220 -235 SL	T8 -Torx						
		P(5xD)	218	162	138									
		H(7xD)	264	208	184									
		L(10xD)	333	277	253									
Ø23.5 - Ø23.9	YTDI 235 □ FSLK	T(3xD)	174	118	94	IDP235Y+ – IDP239Y+ IDF235 – IDF239 ID235 – ID239	CS 220 -235 SL	T8 -Torx						
		P(5xD)	221	165	141									
		H(7xD)	268	212	188									
		L(10xD)	339	283	259									


YTDI-FSLK - Wechselschneidenbohrer für die allgemeine Anwendung

YTDI-FSLK - Interchangeable insert drill for general-purpose machining

Bohrbereich Drilling range	Halter Art.Nr. Body Item No.	Schaft- aus- führung Ød Shank Ød	Bohrtiefe L/D Cutting depth L/D	L1	L2	L3	Flansch- durch- messer (ØFd) Flanged dia.(ØFd)	Bohreinsatz Art.Nr. Insert Item No.to fit in body  IDP IDF ID	Kopf- schraube Cap Screw	Torx- Schrau- ben- schlüssel Torx driver	Gewinde stift Set Screw	Innen 6-Kant Schrau- ben- schlüssel L-wrench		
Ø24.0 - Ø24.4	YTDI 240 □ FSLK KRUZ 240 □ FSLK	32.0 (HB) (60)	T(3xD)	181	121	96	39	IDP240Y+ – IDP244Y+ IDF240 – IDF244 ID240 – ID244	CS 240 -255SL	T15-Torx		✓		
			P(5xD)	229	169	144								
			H(7xD)	277	217	192								
			L(10xD)	349	289	264								
Ø24.5 - Ø24.9	YTDI 245 □ FSLK KRUZ 245 □ FSLK		T(3xD)	183	123	98		IDP245Y+ – IDP249Y+ IDF245 – IDF249 ID245 – ID249	CS 240 -255SL	T15-Torx				✓
			P(5xD)	232	172	147								
			H(7xD)	281	221	196								
			L(10xD)	355	295	270								
Ø25.0 - Ø25.4	YTDI 250 □ FSLK KRUZ 250 □ FSLK		T(3xD)	185	125	100		IDP250Y+ – IDP254Y+ IDF250 – IDF254 ID250 – ID254	CS 240 -255SL	T15-Torx				✓
			P(5xD)	235	175	150								
			H(7xD)	285	225	200								
			L(10xD)	360	300	275								
Ø25.5 - Ø25.9	YTDI 255 □ FSLK KRUZ 255 □ FSLK	T(3xD)	188	128	102	IDP255Y+ – IDP259Y+ IDF255 – IDF259 ID255 – ID259	CS 240 -255SL	T15-Torx				✓		
		P(5xD)	239	179	153									
		H(7xD)	290	230	204									
		L(10xD)	367	307	281									
Ø26.0 - Ø26.4	YTDI 260 □ FSLK KRUZ 260 □ FSLK	T(3xD)	190	130	104	IDP260Y+ – IDP264Y+ IDF260 – IDF264 ID260 – ID264	CS 240 -255SL	T15-Torx				✓		
		P(5xD)	242	182	156									
		H(7xD)	294	234	208									
		L(10xD)	372	312	286									
Ø26.5 - Ø26.9	YTDI 265 □ FSLK KRUZ 265 □ FSLK	T(3xD)	193	133	106	IDP265Y+ – IDP269Y+ IDF265 – IDF269 ID265 – ID269	CS 260 -275 SL	T15-Torx				✓		
		P(5xD)	246	186	159									
		H(7xD)	299	239	212									
		L(10xD)	379	319	292									
Ø27.0 - Ø27.4	YTDI 270 □ FSLK KRUZ 270 □ FSLK	T(3xD)	195	135	108	IDP270Y+ – IDP274Y+ IDF270 – IDF274 ID270 – ID274	CS 260 -275 SL	T15-Torx				✓		
		P(5xD)	249	189	162									
		H(7xD)	303	243	216									
		L(10xD)	384	324	297									
Ø27.5 - Ø27.9	YTDI 275 □ FSLK KRUZ 27 □ FSLK	T(3xD)	197	137	110	IDP275Y+ – IDP279Y+ IDF275 – IDF279 ID275 – ID279	CS 260 -275 SL	T15-Torx				✓		
		P(5xD)	252	192	165									
		H(7xD)	307	247	220									
		L(10xD)	390	330	303									
Ø28.0 - Ø28.4	YTDI 280 □ FSLK KRUZ 280 □ FSLK	T(3xD)	200	140	112	IDP280Y+ – IDP284Y+ IDF280 – IDF284 ID280 – ID284	CS 260 -275 SL	T15-Torx				✓		
		P(5xD)	256	196	168									
		H(7xD)	312	252	224									
		L(10xD)	396	336	308									
Ø28.5 - Ø28.9	YTDI 285 □ FSLK KRUZ 285 □ FSLK	T(3xD)	202	142	114	IDP285Y+ – IDP289Y+ IDF285 – IDF289 ID285 – ID289	CS 280 -295 SL	T15-Torx				✓		
		P(5xD)	259	199	171									
		H(7xD)	316	256	228									
		L(10xD)	402	342	314									
Ø29.0 - Ø29.4	YTDI 290 □ FSLK KRUZ 290 □ FSLK	T(3xD)	205	145	116	IDP290Y+ – IDP294Y+ IDF290 – IDF294 ID290 – ID294	CS 280 -295 SL	T15-Torx				✓		
		P(5xD)	263	203	174									
		H(7xD)	321	261	232									
		L(10xD)	408	348	319									
Ø29.5 - Ø29.9	YTDI 295 □ FSLK KRUZ 295 □ FSLK	T(3xD)	207	147	118	IDP295Y+ – IDP299Y+ IDF295 – IDF299 ID295 – ID299	CS 280 -295 SL	T15-Torx				✓		
		P(5xD)	266	206	177									
		H(7xD)	325	265	236									
		L(10xD)	414	354	325									
Ø30.0 - Ø30.4	YTDI 300 □ FSLK KRUZ 300 □ FSLK	T(3xD)	209	149	120	IDP300Y+ – IDP304Y+ IDF300 – IDF304 ID300 – ID304	CS 300 -315 SL	T20-Torx				✓		
		P(5xD)	269	209	180									
		H(7xD)	329	269	240									
		L(10xD)	419	359	330									


YTDI-FSLK - Wechselschneidenbohrer für die allgemeine Anwendung

YTDI-FSLK - Interchangeable insert drill for general-purpose machining

Bohrbereich Drilling range	Halter Art.Nr. Body Item No.	Schaft- aus- führung Ød Shank Ød	Bohrtiefe L/D Cutting depth L/D	L1	L2	L3	Flansch- durch- messer (ØFd) Flanged dia.(ØFd)	Bohreinsatz Art.Nr. Insert Item No.to fit in body  IDP IDF ID	Kopf- schraube Cap Screw	Torx- Schrau- ben- schlüssel Torx driver	Gewinde stift Set Screw	Innen 6-Kant Schrau- ben- schlüssel L-wrench
Ø30.5 - Ø30.9	YTDI 305 □ FSLK	32.0 (HB) (60)	T(3xD)	212	152	122	39	IDP305Y+ – IDP309Y+ IDF305 – IDF309 ID305 – ID309	CS 300 -315 SL	M4x8	2.0mm	✓
			P(5xD)	273	213	183						
			H(7xD)	334	274	244						
			L(10xD)	426	366	336						
Ø31.0 - Ø31.4	YTDI 310 □ FSLK		T(3xD)	214	154	124		IDP310Y+ – IDP314Y+ IDF310 – IDF314 ID310 – ID314				
			P(5xD)	276	216	186						
			H(7xD)	338	278	248						
			L(10xD)	431	371	341						
Ø31.5 - Ø31.9	YTDI 315 □ FSLK		T(3xD)	217	157	126		IDP315Y+ – IDP319Y+ IDF315 – IDF319 ID315 – ID319				
			P(5xD)	280	220	189						
			H(7xD)	343	283	252						
			L(10xD)	438	378	347						
Ø32.0 - Ø32.4	YTDI 320 □ FSLK	T(3xD)	219	159	128	IDP320Y+ – IDP324Y+ IDF320 – IDF324 ID320 – ID324						
		P(5xD)	283	223	192							
		H(7xD)	347	287	256							
		L(10xD)	443	383	352							
Ø32.5 - Ø32.9	YTDI 325 □ FSLK	T(3xD)	221	161	130	IDP325Y+ – IDP329Y+ IDF325 – IDF329 ID325 – ID329						
		P(5xD)	286	226	195							
		H(7xD)	351	291	260							
		L(10xD)	449	389	358							
Ø33.0 - Ø33.4	YTDI 330 □ FSLK	T(3xD)	224	164	132	IDP330Y+ – IDP334Y+ IDF330 – IDF334 ID330 – ID334						
		P(5xD)	290	230	198							
		H(7xD)	356	296	264							
		L(10xD)	455	395	363							
Ø33.5 - Ø33.9	YTDI 335 □ FSLK	T(3xD)	226	166	134	IDP335Y+ – IDP339Y+ IDF335 – IDF339 ID335 – ID339						
		P(5xD)	293	233	201							
		H(7xD)	360	300	268							
		L(10xD)	461	401	369							
Ø34.0 - Ø34.4	YTDI 340 □ FSLK	T(3xD)	239	169	136	IDP340Y+ – IDP344Y+ IDF340 – IDF344 ID340 – ID344						
		P(5xD)	307	237	204							
		H(7xD)	375	305	272							
		L(10xD)	477	407	374							
Ø34.5 - Ø34.9	YTDI 345 □ FSLK	T(3xD)	241	171	138	IDP345Y+ – IDP349Y+ IDF345 – IDF349 ID345 – ID349						
		P(5xD)	310	240	207							
		H(7xD)	379	309	276							
		L(10xD)	483	413	380							
Ø35.0 - Ø35.4	YTDI 350 □ FSLK	T(3xD)	243	173	140	IDP105Y+ – IDP109Y+ IDF105 – IDF109 ID105 – ID109						
		P(5xD)	313	243	210							
		H(7xD)	383	313	280							
		L(10xD)	488	418	385							
Ø35.5 - Ø35.9	YTDI 355 □ FSLK	T(3xD)	246	176	142	IDP355Y+ – IDP359Y+ IDF355 – IDF359 ID355 – ID359						
		P(5xD)	317	247	213							
		H(7xD)	388	318	284							
		L(10xD)	495	425	391							
Ø36.0 - Ø36.4	YTDI 360 □ FSLK	T(3xD)	248	178	144	IDP360Y+ – IDP364Y+ IDF360 – IDF364 ID360 – ID364						
		P(5xD)	320	250	216							
		H(7xD)	392	322	288							
		L(10xD)	500	430	396							
Ø36.5 - Ø36.9	YTDI 365 □ FSLK	T(3xD)	251	181	146	IDP365Y+ – IDP369Y+ IDF365 – IDF369 ID365 – ID369						
		P(5xD)	324	254	219							
		H(7xD)	397	327	292							
		L(10xD)	507	437	402							

YTDI-FSLK - Wechselschneidenbohrer für die allgemeine Anwendung

YTDI-FSLK - Interchangeable insert drill for general-purpose machining

Bohrbereich Drilling range	Halter Art.Nr. Body Item No.	Schaft- aus- führung Ød Shank Ød	Bohrtiefe L/D Cutting depth L/D	L1	L2	L3	Flansch- durch- messer (ØFd) Flanged dia.(ØFd)	Bohreinsatz Art.Nr. Insert Item No.to fit in body  IDP IDF ID	Kopf- schraube Cap Screw	Torx- Schrau- ben- schlüssel Torx driver	Gewinde stift Set Screw	Innen 6-Kant Schrau- ben- schlüssel L-wrench	
Ø37.0 - Ø37.4	YTDI 370 □ FSLK	40.0 (HB) (70)	T(3xD)	253	183	148	55	IDP370Y+ – IDP374Y+ IDF370 – IDF374 ID370 – ID374	CS 360 -395 SL	T20-Torx 5.0Nm (Max)	M5x10	2.5mm	✓
			P(5xD)	327	257	222							
			H(7xD)	401	331	296							
			L(10xD)	512	442	407							
Ø37.5 - Ø37.9	YTDI 375 □ FSLK		T(3xD)	255	185	150		IDP375Y+ – IDP379Y+ IDF375 – IDF379 ID375 – ID379					
			P(5xD)	330	260	225							
			H(7xD)	405	335	300							
			L(10xD)	518	448	413							
Ø38.0 - Ø38.4	YTDI 380 □ FSLK		T(3xD)	258	188	152		IDP380Y+ – IDP384Y+ IDF380 – IDF384 ID380 – ID384					
			P(5xD)	334	264	228							
			H(7xD)	410	340	304							
			L(10xD)	524	454	418							
Ø38.5 - Ø38.9	YTDI 385 □ FSLK	T(3xD)	260	196	154	IDP385Y+ – IDP389Y+ IDF385 – IDF389 ID385 – ID389							
		P(5xD)	337	267	231								
		H(7xD)	414	344	308								
		L(10xD)	530	460	424								
Ø39.0 - Ø39.4	YTDI 390 □ FSLK	T(3xD)	263	193	156	IDP390Y+ – IDP394Y+ IDF390 – IDF394 ID390 – ID394							
		P(5xD)	341	271	234								
		H(7xD)	419	349	312								
		L(10xD)	536	466	429								
Ø39.5 - Ø39.9	YTDI 395 □ FSLK	T(3xD)	265	195	158	IDP395Y+ – IDP399Y+ IDF395 – IDF399 ID395 – ID399							
		P(5xD)	344	274	237								
		H(7xD)	423	353	316								
		L(10xD)	542	472	435								
Ø40.0 - Ø40.4	YTDI 400 □ FSLK	T(3xD)	267	197	160	IDP400Y+ – IDP404Y+ IDF400 – IDF404 ID400 – ID404							
		P(5xD)	347	277	240								
		H(7xD)	427	357	320								
		L(10xD)	547	477	440								
Ø40.5 - Ø40.9	YTDI 405 □ FSLK	T(3xD)	270	200	162	IDP405Y+ – IDP409Y+ IDF405 – IDF409 ID405 – ID409							
		P(5xD)	351	281	243								
		H(7xD)	432	362	324								
		L(10xD)	554	484	446								
Ø41.0 - Ø41.4	YTDI 410 □ FSLK	T(3xD)	272	202	164	IDP105Y+ – IDP109Y+ IDF105 – IDF109 ID105 – ID109							
		P(5xD)	354	284	246								
		H(7xD)	436	366	328								
		L(10xD)	559	489	451								
Ø41.5 - Ø41.9	YTDI 415 □ FSLK	T(3xD)	275	205	166	IDP415Y+ – IDP419Y+ IDF415 – IDF419 ID415 – ID419							
		P(5xD)	358	288	249								
		H(7xD)	441	371	332								
		L(10xD)	566	496	457								
Ø42.0 - Ø42.4	YTDI 420 □ FSLK	T(3xD)	277	207	168	IDP420Y+ – IDP424Y+ IDF420 – IDF424 ID420 – ID424							
		P(5xD)	361	291	252								
		H(7xD)	445	375	336								
		L(10xD)	571	501	462								
Ø42.5 - Ø42.9	YTDI 425 □ FSLK	T(3xD)	279	209	170	IDP425Y+ – IDP429Y+ IDF425 – IDF429 ID425 – ID429							
		P(5xD)	364	294	255								
		H(7xD)	449	379	340								
		L(10xD)	577	507	468								
Ø43.0 - Ø43.4	YTDI 430 □ FSLK	T(3xD)	282	212	172	IDP430Y+ – IDP434Y+ IDF430 – IDF434 ID430 – ID434							
		P(5xD)	368	298	258								
		H(7xD)	454	384	344								
		L(10xD)	583	513	473								

YTDI-FSLK - Wechselschneidenbohrer für die allgemeine Anwendung

YTDI-FSLK - Interchangeable insert drill for general-purpose machining

Bohrbereich Drilling range	Halter Art.Nr. Body Item No.	Schaftausführung Ød Shank Ød	Bohrtiefe L/D Cutting depth L/D	L1	L2	L3	Flanschdurchmesser (ØFd) Flanged dia.(ØFd)	Bohreinsatz Art.Nr. Insert Item No.to fit in body IDP IDF ID	Kopfschraube Cap Screw	Torx-Schraubenschlüssel Torx driver	Gewindestift Set Screw	Innen 6-Kant Schraubenschlüssel L-wrench
Ø43.5 - Ø43.9	YTDI 435 □ FSLK	40.0 (HB) (70)	T(3xD)	284	214	174	55	IDP435Y+ – IDP439Y+ IDF435 – IDF439 ID435 – ID439	CS 400 -445 SL	T20-Torx	M6x12	3.0mm
			P(5xD)	371	301	261						
			H(7xD)	458	388	348						
Ø44.0 - Ø44.4	YTDI 440 □ FSLK	40.0 (HB) (70)	T(3xD)	287	217	176	55	IDP440Y+ – IDP444Y+ IDF440 – IDF444 ID440 – ID444	CS 400 -445 SL	T20-Torx	M6x12	3.0mm
			P(5xD)	375	305	264						
			H(7xD)	463	393	352						
Ø44.5 - Ø44.9	YTDI 445 □ FSLK	40.0 (HB) (70)	T(3xD)	289	219	178	55	IDP445Y+ – IDP449Y+ IDF445 – IDF449 ID445 – ID449	CS 400 -445 SL	T20-Torx	M6x12	3.0mm
			P(5xD)	378	308	267						
			H(7xD)	467	397	356						
Ø45.0 - Ø45.4	YTDI 450 □ FSLK	40.0 (HB) (70)	T(3xD)	291	221	180	55	IDP450Y+ – IDP454Y+ IDF450 – IDF454 ID450 – ID454	CS 400 -445 SL	T20-Torx	M6x12	3.0mm
			P(5xD)	381	311	270						
			H(7xD)	471	401	360						
Ø45.5 - Ø45.9	YTDI 455 □ FSLK	40.0 (HB) (70)	T(3xD)	294	224	182	55	IDP455Y+ – IDP459Y+ IDF455 – IDF459 ID455 – ID459	CS 400 -445 SL	T20-Torx	M6x12	3.0mm
			P(5xD)	385	315	273						
			H(7xD)	476	406	364						
Ø46.0 - Ø46.4	YTDI 460 □ FSLK	40.0 (HB) (70)	T(3xD)	296	226	184	55	IDP460Y+ – IDP464Y+ IDF460 – IDF464 ID460 – ID464	CS 400 -445 SL	T20-Torx	M6x12	3.0mm
			P(5xD)	388	318	276						
			H(7xD)	480	410	368						
Ø46.5 - Ø46.9	YTDI 465 □ FSLK	40.0 (HB) (70)	T(3xD)	299	229	186	55	IDP465Y+ – IDP469Y+ IDF465 – IDF469 ID465 – ID469	CS 400 -445 SL	T20-Torx	M6x12	3.0mm
			P(5xD)	392	322	279						
			H(7xD)	485	415	372						
Ø47.0 - Ø47.4	YTDI 470 □ FSLK	40.0 (HB) (70)	T(3xD)	301	231	188	55	IDP470Y+ – IDP474Y+ IDF470 – IDF474 ID470 – ID474	CS 400 -445 SL	T20-Torx	M6x12	3.0mm
			P(5xD)	395	325	282						
			H(7xD)	489	419	376						
Ø47.5 - Ø47.9	YTDI 475 □ FSLK	40.0 (HB) (70)	T(3xD)	303	233	190	55	IDP475Y+ – IDP479Y+ IDF475 – IDF479 ID475 – ID479	CS 400 -445 SL	T20-Torx	M6x12	3.0mm
			P(5xD)	398	328	285						
			H(7xD)	493	423	380						
Ø48.0 - Ø48.4	YTDI 480 □ FSLK	40.0 (HB) (70)	T(3xD)	306	236	192	55	IDP480Y+ – IDP484Y+ IDF480 – IDF484 ID480 – ID484	CS 400 -445 SL	T20-Torx	M6x12	3.0mm
			P(5xD)	402	332	288						
			H(7xD)	498	428	384						
Ø48.5 - Ø48.9	YTDI 485 □ FSLK	40.0 (HB) (70)	T(3xD)	308	238	194	55	IDP485Y+ – IDP489Y+ IDF485 – IDF489 ID485 – ID489	CS 400 -445 SL	T20-Torx	M6x12	3.0mm
			P(5xD)	405	335	291						
			H(7xD)	502	432	388						
Ø49.0 - Ø49.4	YTDI 490 □ FSLK	40.0 (HB) (70)	T(3xD)	311	241	196	55	IDP490Y+ – IDP494Y+ IDF490 – IDF494 ID490 – ID494	CS 400 -445 SL	T20-Torx	M6x12	3.0mm
			P(5xD)	409	339	294						
			H(7xD)	507	437	392						
Ø49.5 - Ø49.9	YTDI 495 □ FSLK	40.0 (HB) (70)	T(3xD)	313	243	198	55	IDP495Y+ – IDP499Y+ IDF495 – IDF499 ID495 – ID499	CS 400 -445 SL	T20-Torx	M6x12	3.0mm
			P(5xD)	412	342	297						
			H(7xD)	511	441	396						
Ø50.0 - Ø50.4	YTDI 500 □ FSLK	40.0 (HB) (70)	T(3xD)	315	245	200	55	IDP500Y+ – IDP504Y+ IDF500 – IDF504 ID500 – ID504	CS 400 -445 SL	T20-Torx	M6x12	3.0mm
			P(5xD)	415	345	300						
			H(7xD)	515	445	400						
			L(10xD)	665	595	550						

YTDI-FSLK - Wechselschneidenbohrer für die allgemeine Anwendung

YTDI-FSLK - Interchangeable insert drill for general-purpose machining

Werkstoffe Material Group	Ø8-16mm		Ø16-25mm		Ø25-32mm		Ø32-40mm		Ø40-50mm	
	Geschwindigkeit Speed (m/min)	Vorschub Feed (mm/rev)	Geschwindigkeit Speed (m/min)	Vorschub Feed (mm/rev)	Geschwindigkeit Speed (m/min)	Vorschub Feed (mm/rev)	Geschwindigkeit Speed (m/min)	Vorschub Feed (mm/rev)	Geschwindigkeit Speed (m/min)	Vorschub Feed (mm/rev)
Grauguss Grey cast iron	80-150	0.20-0.30	80-150	0.25-0.45	80-160	0.35-0.55	90-200	0.34-0.58	90-200	0.38-0.60
Kugelgraphitguss Nodular cast iron	80-140	0.15-0.25	80-140	0.22-0.45	80-150	0.32-0.52	90-160	0.35-0.62	90-200	0.38-0.60
Unlegierter Stah Carbon steel	80-140	0.15-0.30	80-140	0.16-0.40	80-150	0.20-0.40	80-150	0.22-0.48	80-160	0.25-0.54
Legierter Stah Alloy steel	70-140	0.15-0.30	70-140	0.15-0.40	70-140	0.18-0.40	80-140	0.25-0.47	80-140	0.27-0.52
Gehärteter Stah Hardened steel	40-50	0.10-0.20	40-50	0.12-0.28	40-50	0.16-0.35	40-60	0.20-0.38	40-60	0.22-0.42
Rostfreier Stah Stainless steel	30-40	0.10-0.20	35-50	0.10-0.22	35-50	0.15-0.28	40-55	0.18-0.30	40-55	0.22-0.32
Aluminium 130HB Aluminiumlegierung	120-200	0.20-0.30	120-200	0.25-0.40	120-200	0.30-0.45	120-200	0.30-0.45	120-200	0.30-0.50

KRUZ "K"-Serie - Wechselschneidenbohrer für den Stahlbau

KRUZ "K" Series – Interchangeable Insert Drill for steel construction



Achtung !!! Caution !!!

- "K"-Serien Bohreinsätze (IDFK oder IDPK) dürfen nur mit Grundkörpern der "K"-Serie (KRUZ-SL oder FSL) verwendet werden, um einen Bohrerbruch zu vermeiden.
- "K" series inserts (IDFK or IDPK) should be used only with "K" series body (KRUZ-SL or FSL) to avoid drilling failure.

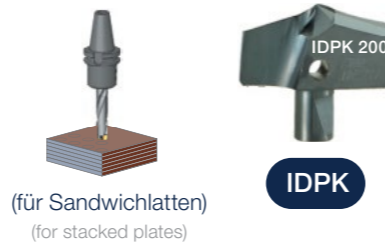
IDFK Hartmetall-Bohreinsatz IDFK Carbide insert

- Präzisionsgeschliffener Hartmetall-Bohreinsatz Carbide insert completely grinded by CNC program
- Patentierte 140° + 170° Doppelwinkelgeometrie Patented 140°+170° dual angle flat bottom point
- TiAIN-beschichteter Bohreinsatz für mehr Verschleißbeständigkeit und höhere Vorschubgeschwindigkeiten TiAIN coated insert offers wear resistance and higher feed rate
- Speziell für das Bohren von Stahlträgern, Winkeln oder einzelnen Platten entwickelt Designed exclusively for structural beam, angle or single plate drilling



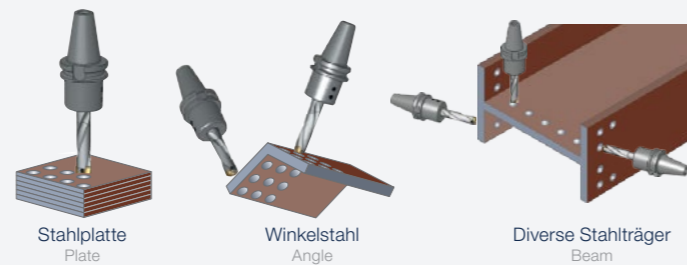
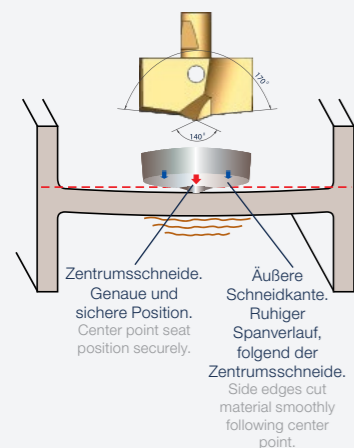
IDPK Hartmetall-Bohreinsatz IDPK Carbide insert

- Präzisionsgeschliffener Hartmetall-Bohreinsatz Carbide insert completely grinded by CNC program
- Patentierte 120° + 150° Doppelwinkelgeometrie Patented 120°+150° dual point angle
- TiAIN-beschichteter Bohreinsatz für mehr Verschleißbeständigkeit und höhere Vorschubgeschwindigkeiten TiAIN coated insert offers wear resistance and higher feed rate
- Geeigneter Bohreinsatz für das Bohren von Sandwichplatten Appropriate insert design for stack plates drilling



KRUZ-SLK Grundkörper KRUZ-SLK Drill body

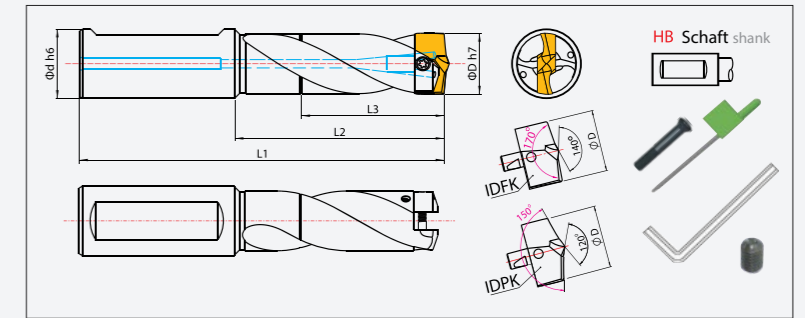
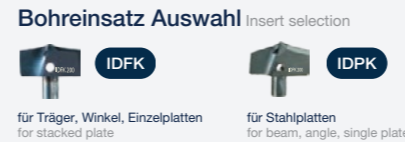
- TiN-beschichteter Grundkörper für mehr Verschleißbeständigkeit und einen reibungsloseren Spanfluss TiN-coated tool body for improved wear resistance and smoother chip evacuation.
- Spezielles Spannutendesign für schnelleren Spanabfuhr Special flute design to increase faster chip's ejection rate
- Ermöglicht den Einbau von 0,5mm größeren IDFK und IDPK Bohreinsätze Enabling to mount 0.5mm inclusive both IDFK & IDPK inserts
- kurze Länge für maximale Bohrleistung Stubby length to perform max. drilling ability of structural machining
- Mit Innenkühlung Internal coolant fed



- Für dünne Bauteile und geringe Bohrtiefe For thin components and shallow drilling depths

KRUZ "K"-Serie: Bohrkörper & Bohreinsätze, kurze Ausführung, Metrisch

KRUZ "K"-Serie: Drill bodies and inserts, short version, metric



Bohrbereich Drilling range	Halter Art.Nr. Body Item No.	Dimension Bohrtiefe 50 mm Dimension			Halter 3xD Body 3xD	Dimension 3xD Dimension			Schaft aus- führung Ød/(L) Shank Ød/(L)	IDFK IDPK	Kopf- schrau- be Cap Screw	Torx- Schrau- en- schlüs- sel Torx driver	Ge- winde- stift Set Screw	Innen 6-Kant Schrau- en- schlüs- sel L-wrench		
		L1	L2	L3		L1	L2	L3								
12.0 -12.4	KRUZ 120 L3=50 SLK	110	62		KRUZ 120T SLK	105	57	16 (48)	IDFK 120-124 IDPK 120-124	CS 120 -135 SL	T6-Torx	0.6Nm (Max)				
12.5 -12.9	KRUZ 125 L3=50 SLK				KRUZ 125T SLK	110	62								50	IDFK 125-129 IDPK 125-129
13.0 -13.4	KRUZ 130 L3=50 SLK				KRUZ 130T SLK											
13.5 -13.9	KRUZ 135 L3=50 SLK				KRUZ 135T SLK	115	67								55	IDFK 135-139 IDPK 135-139
14.0 -14.4	KRUZ 140 L3=50 SLK				KRUZ 140T SLK											
14.5 -14.9	KRUZ 145 L3=50 SLK				KRUZ 145T SLK	125	75								60	IDFK 145-149 IDPK 145-149
15.0 -15.4	KRUZ 150 L3=50 SLK	KRUZ 150T SLK														
15.5 -15.9	KRUZ 155 L3=50 SLK	115	65		160	IDFK 155-159 IDPK 155-159	T7-Torx	0.9Nm (Max)	M2.5x4	1.3mm						
16.0 -16.4	KRUZ 155 L3=50 SLK										KRUZ 160T SLK					
16.5 -16.9	KRUZ 165 L3=50 SLK	130	80	62	165	IDFK 165-169 IDPK 165-169	CS 160 -175 SL									
17.0 -17.4	KRUZ 170 L3=50 SLK							KRUZ 170T SLK								
17.5 -17.9	KRUZ 175 L3=50 SLK	118	68		175	IDFK 175-179 IDPK 175-179	CS 180 -195 SL									
18.0 -18.4	KRUZ 180 L3=50 SLK							KRUZ 180T SLK								
18.5 -18.9	KRUZ 185 L3=50 SLK	140	90		185	IDFK 185-189 IDPK 185-189	CS 180 -195 SL									
19.0 -19.4	KRUZ 190 L3=50 SLK							KRUZ 190T SLK								
19.5 -19.9	KRUZ 195 L3=50 SLK	150	94	70	195	IDFK 195-199 IDPK 195-199	T8-Torx	1.5Nm (Max)								
20.0 -20.4	KRUZ 200 L3=50 SLK										KRUZ 200T SLK					
20.5 -20.9	KRUZ 205 L3=50 SLK	130	74		205	IDFK 205-209 IDPK 205-209	CS 200 -115 SL									
21.0 -21.4	KRUZ 210 L3=50 SLK							KRUZ 210T SLK								
21.5 -21.9	KRUZ 215 L5=3 SLK	150	94	(56)	215	IDFK 215-215 IDPK 215-215										
							KRUZ 215T SLK									

KRUZ "K"-Serie: Bohrkörper & Bohreinsätze, kurze Ausführung, Metrisch

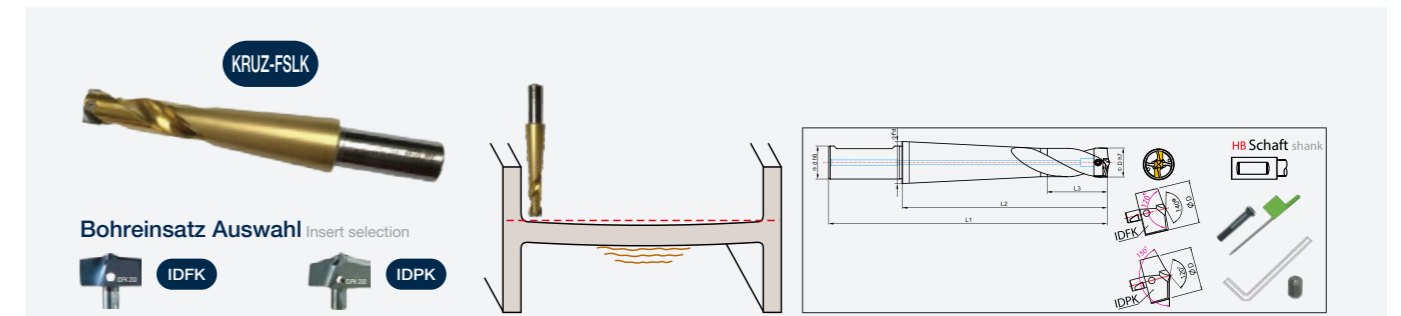
KRUZ "K"-Serie: Drill bodies and inserts, short version, metric

Bohrbereich Drilling range	Halter Art.Nr. Body Item No.	Dimension Dimension			Halter 3xD Body Item 3xD	Dimension Dimension			Schaft aus- füh- rung Ød/(L) Shank Ød/(L)	IDFK IDPK	Kopf- schrau- be Cap Screw	Torx- Schrau- ben- schlüs- sel Torx driver	Ge- winde- stift Set Screw	Innen 6-Kant Schrau- ben- schlüssel L-wrench
		L1	L2	L3		L1	L2	L3						
22.0 22.4-	KRUZ 220 L50=3 SLK	130	74	50	KRUZ 220T SLK	160	104	80	25 (56)	IDFK 224-220 IDPK 224-220	CS 220 235- SL	T8-Torx	1.5Nm (Max)	
22.5 22.9-	KRUZ 225 L50=3 SLK				KRUZ 225T SLK					IDFK 229-225 IDPK 229-225				
23.0 23.4-	KRUZ 230 L50=3 SLK				KRUZ 230T SLK					IDFK 234-230 IDPK 234-230				
23.5 23.9-	KRUZ 235 L50=3 SLK	136	76	50	KRUZ 235T SLK	170	110	84	32 (60)	IDFK 239-235 IDPK 239-235	CS 240 255- SL	M3x6	1.5mm	
24.0 24.4-	KRUZ 240 L50=3 SLK				KRUZ 240T SLK					IDFK 244-240 IDPK 244-240				
24.5 24.9-	KRUZ 245 L50=3 SLK				KRUZ 245T SLK					IDFK 249-245 IDPK 249-245				
25.0 25.4-	KRUZ 250 L50=3 SLK	140	80	50	KRUZ 250T SLK	180	120	90	32 (60)	IDFK 254-250 IDPK 254-250	CS 260 -275 SL	T-15Torx	3.5Nm (Max)	
25.5 25.9-	KRUZ 255 L50=3 SLK				KRUZ 255T SLK					IDFK 259-255 IDPK 259-255				
26.0 -26.4	KRUZ 260 L3=50 SLK				KRUZ 260T SLK					IDFK 260-264 IDPK 260-264				
26.5 -26.9	KRUZ 265 L3=50 SLK	140	80	50	KRUZ 265T SLK	180	120	90	32 (60)	IDFK 265-269 IDPK 265-269	CS 260 -275 SL	T-15Torx	3.5Nm (Max)	
27.0 -27.4	KRUZ 270 L3=50 SLK				KRUZ 270T SLK					IDFK 270-274 IDPK 270-274				
27.5 -27.9	KRUZ 275 L3=50 SLK				KRUZ 275T SLK					IDFK 275-279 IDPK 275-279				
28.0 -28.4	KRUZ 280 L3=50 SLK	140	80	50	KRUZ 280T SLK	190	130	100	32 (60)	IDFK 280-284 IDPK 280-284	CS 280 -295 SL	M4x8	2.0mm	
28.5 -28.9	KRUZ 285 L3=50 SLK				KRUZ 285T SLK					IDFK 285-289 IDPK 285-289				
29.0 -29.4	KRUZ 290 L3=50 SLK				KRUZ 290T SLK					IDFK 290-294 IDPK 290-294				
29.5 -29.9	KRUZ 295 L3=50 SLK	140	80	50	KRUZ 295T SLK	190	130	100	32 (60)	IDFK 295-299 IDPK 295-299	CS 280 -295 SL	M4x8	2.0mm	

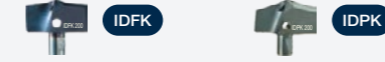
* Nicht angegebene Größen sind auf Anfrage erhältlich.
* Size not shown on above is available upon request.

KRUZ-FSLK: Bohrkörper (5xD), IDFK & IDPK Bohreinsätze

KRUZ-FSLK: Drill bodies (5xD), IDFK & IDPK inserts



Bohreinsatz Auswahl Insert selection



für Träger, Winkel, Einzelplatte
for beam, angle, single plate

für Sandwichplatten
for stacked plate

- Dieser verstärkte Grundkörper wird verwendet, wenn eine größere Bohrerlänge benötigt wird.
When requires longer drill length, select this ideal drill body
- Bohren näher am Flanschteil Drilling closer to flange part
- Mit Innenkühlung internal coolant fed design
- Erhöhte Steifigkeit des Bohrers im Vergleich zu gewöhnlichen Bohrern mit 5xD Länge
Increased drill's rigidity than ordinary 5xDia drill length
- Minimierte Spannut mit längerem zylindrischen Schaft Minimized flute design with longer cylindrical neck
- Grundkörper mit Flansch zur Verringerung von Vibrationen Flanged shank to reduce chattering or vibrating
- Geeignet für Bohrtiefe 50-90 mm Suitable for drilling depths of 50-90 mm

Bohrbereich Drilling range	Halter Art.Nr. Body Item No.	Schaft aus- füh- rung Ød Shank Ød	Dimension Dimension			Flansch- durch- messer (ØFd) Flanged dia.(ØFd)	IDFK einfügen Insert IDFK IDFK	IDPK einfügen Insert IDPK IDPK	Kopf- schrau- be Cap Screw	Torx- Schrau- ben- schlüs- sel Torx driver	Ge- winde- stift Set Screw	Innen 6-Kant Schrau- ben- schlüssel L-wrench
			L1	L2	L3							
12.0 -12.4	KRUZ 120P FL50 FSLK	16 (48)	133	85	21	IDFK 120, IDFK 121, IDFK 122, IDFK 123, IDFK 124 IDPK 120, IDPK 121, IDPK 122, IDPK 123, IDPK 124	CS 120 -135 SL	T6-Torx	0.6Nm (Max)			
12.5 -12.9	KRUZ 125P FL50 FSLK		136	88		IDFK 125, IDFK 126, IDFK 127, IDFK 128, IDFK 129 IDPK 125, IDPK 126, IDPK 127, IDPK 128, IDPK 129						
13.0 -13.4	KRUZ 130P FL50 FSLK		140	92		IDFK 130, IDFK 131, IDFK 132, IDFK 133, IDFK 134 IDPK 130, IDPK 131, IDPK 132, IDPK 133, IDPK 134						
13.5 -13.9	KRUZ 135P FL50 FSLK	20 (50)	143	95	27	IDFK 135, IDFK 136, IDFK 137, IDFK 138, IDFK 139 IDPK 135, IDPK 136, IDPK 137, IDPK 138, IDPK 139	CS 140 -155 SL	T7-Torx	0.9Nm (Max)	M2. 5x4	1.3mm	
14.0 -14.4	KRUZ 140P FL50 FSLK		147	99		IDFK 140, IDFK 141, IDFK 142, IDFK 143, IDFK 144 IDPK 140, IDPK 141, IDPK 142, IDPK 143, IDPK 144						
14.5 -14.9	KRUZ 145P FL50 FSLK		150	102		IDFK 145, IDFK 146, IDFK 147, IDFK 148, IDFK 149 IDPK 145, IDPK 146, IDPK 147, IDPK 148, IDPK 149						
15.0 -15.4	KRUZ 150P FL50 FSLK	25 (56)	157	107	32	IDFK 150, IDFK 151, IDFK 152, IDFK 153, IDFK 154 IDPK 150, IDPK 151, IDPK 152, IDPK 153, IDPK 154	CS 200 -215 SL	T8-Torx	1.5Nm (Max)		1.5mm	
15.5 -15.9	KRUZ 155P FL50 FSLK		161	111		IDFK 155, IDFK 156, IDFK 157, IDFK 158, IDFK 159 IDPK 155, IDPK 156, IDPK 157, IDPK 158, IDPK 159						
16.0 -16.4	KRUZ 160P FL50 FSLK		164	114		IDFK 160, IDFK 161, IDFK 162, IDFK 163, IDFK 164 IDPK 160, IDPK 161, IDPK 162, IDPK 163, IDPK 164						
16.5 -16.9	KRUZ 165P FL50 FSLK	25 (56)	168	118	32	IDFK 165, IDFK 166, IDFK 167, IDFK 168, IDFK 169 IDPK 165, IDPK 166, IDPK 167, IDPK 168, IDPK 169	CS 200 -215 SL	T8-Torx	1.5Nm (Max)		1.5mm	
17.0 -17.4	KRUZ 170P FL50 FSLK		171	121		IDFK 170, IDFK 171, IDFK 172, IDFK 173, IDFK 174 IDPK 170, IDPK 171, IDPK 172, IDPK 173, IDPK 174						
17.5 -17.9	KRUZ 175P FL50 FSLK		174	124		IDFK 175, IDFK 176, IDFK 177, IDFK 178, IDFK 179 IDPK 175, IDPK 176, IDPK 177, IDPK 178, IDPK 179						
18.0 -18.4	KRUZ 180P FL50 FSLK	25 (56)	178	128	32	IDFK 180, IDFK 181, IDFK 182, IDFK 183, IDFK 184 IDPK 180, IDPK 181, IDPK 182, IDPK 183, IDPK 184	CS 200 -215 SL	T8-Torx	1.5Nm (Max)		1.5mm	
18.5 -18.9	KRUZ 185P FL50 FSLK		181	131		IDFK 185, IDFK 186, IDFK 187, IDFK 188, IDFK 189 IDPK 185, IDPK 186, IDPK 187, IDPK 188, IDPK 189						
19.0 -19.4	KRUZ 190P FL50 FSLK		185	135		IDFK 190, IDFK 191, IDFK 192, IDFK 193, IDFK 194 IDPK 190, IDPK 191, IDPK 192, IDPK 193, IDPK 194						
19.5 -19.9	KRUZ 195P FL50 FSLK	25 (56)	188	138	32	IDFK 195, IDFK 196, IDFK 197, IDFK 198, IDFK 199 IDPK 195, IDPK 196, IDPK 197, IDPK 198, IDPK 199	CS 200 -215 SL	T8-Torx	1.5Nm (Max)		1.5mm	
20.0 -20.4	KRUZ 200P FL50 FSLK		197	141		IDFK 200, IDFK 201, IDFK 202, IDFK 203, IDFK 204 IDPK 200, IDPK 201, IDPK 202, IDPK 203, IDPK 204						
20.5 -20.9	KRUZ 205P FL50 FSLK		201	145		IDFK 205, IDFK 206, IDFK 207, IDFK 208, IDFK 209 IDPK 205, IDPK 206, IDPK 207, IDPK 208, IDPK 209						

KRUZ-FSLK: Bohrkörper (5xD), IDFK & IDPK Bohreinsätze

KRUZ-FSLK: Drill bodies (5xD), IDFK & IDPK inserts

Bohrbereich Drilling range	Halter 5xD Art.Nr. Body 5xD Item No.	Schaftausführung Ød Shank Ød	Dimension Dimension			Flanschdurchmesser (ØFd) Flanged dia.(ØFd)	IDFK einfügen Insert IDFK	IDPK einfügen Insert IDPK	Kopfschraube Cap Screw	Torx-Schraubenschlüssel Torx driver	Gewindestift Set Screw	Innen 6-Kant Schraubenschlüssel L-wrench	
			L1	L2	L3		IDFK	IDPK					
21.0 -21.4	KRUZ 210P FL50 FSLK	25 (56)	204	148	32	IDFK 210, IDFK 211, IDFK 212, IDFK 213, IDFK 214 IDPK 210, IDPK 211, IDPK 212, IDPK 213, IDPK 214		CS 200 -215 SL	T8-Torx				
21.5 -21.9	KRUZ 215P FL50 FSLK		208	152		IDFK 215, IDFK 216, IDFK 217, IDFK 218, IDFK 219 IDPK 215, IDPK 216, IDPK 217, IDPK 218, IDPK 219							
22.0 -22.4	KRUZ 220P FL50 FSLK		211	155		IDFK 220, IDFK 221, IDFK 222, IDFK 223, IDFK 224 IDPK 220, IDPK 221, IDPK 222, IDPK 223, IDPK 224							
22.5 -22.9	KRUZ 225P FL50 FSLK		214	158		IDFK 225, IDFK 226, IDFK 227, IDFK 228, IDFK 229 IDPK 225, IDPK 226, IDPK 227, IDPK 228, IDPK 229							
23.0 -23.4	KRUZ 230P FL50 FSLK		218	162		IDFK 230, IDFK 231, IDFK 232, IDFK 233, IDFK 234 IDPK 230, IDPK 231, IDPK 232, IDPK 233, IDPK 234							
23.5 -23.9	KRUZ 235P FL50 FSLK		221	165		IDFK 235, IDFK 236, IDFK 237, IDFK 238, IDFK 239 IDPK 235, IDPK 236, IDPK 237, IDPK 238, IDPK 239							
24.0 -24.4	KRUZ 240P FL50 FSLK	32 (60)	229	169	50	IDFK 240, IDFK 241, IDFK 242, IDFK 243, IDFK 244 IDPK 240, IDPK 241, IDPK 242, IDPK 243, IDPK 244		CS 240 -255 SL	M3x6	1.5mm			
24.5 -24.9	KRUZ 245P FL50 FSLK		232	172		IDFK 245, IDFK 246, IDFK 247, IDFK 248, IDFK 249 IDPK 245, IDPK 246, IDPK 247, IDPK 248, IDPK 249							
25.0 -25.4	KRUZ 250P FL50 FSLK		235	175		IDFK 250, IDFK 251, IDFK 252, IDFK 253, IDFK 254 IDPK 250, IDPK 251, IDPK 252, IDPK 253, IDPK 254							
25.5 -25.9	KRUZ 255P FL50 FSLK		239	179		IDFK 255, IDFK 256, IDFK 257, IDFK 258, IDFK 259 IDPK 255, IDPK 256, IDPK 257, IDPK 258, IDPK 259							
26.0 -26.4	KRUZ 260P FL50 FSLK		242	182		IDFK 260, IDFK 261, IDFK 262, IDFK 263, IDFK 264 IDPK 260, IDPK 261, IDPK 262, IDPK 263, IDPK 264							
26.5 -26.9	KRUZ 265P FL50 FSLK		246	186		IDFK 265, IDFK 266, IDFK 267, IDFK 268, IDFK 269 IDPK 265, IDPK 266, IDPK 267, IDPK 268, IDPK 269							
27.0 -27.4	KRUZ 270P FL50 FSLK		249	189		IDFK 270, IDFK 271, IDFK 272, IDFK 273, IDFK 274 IDPK 270, IDPK 271, IDPK 272, IDPK 273, IDPK 274							
27.5 -27.9	KRUZ 275P FL50 FSLK		252	192		IDFK 275, IDFK 276, IDFK 277, IDFK 278, IDFK 279 IDPK 275, IDPK 276, IDPK 277, IDPK 278, IDPK 279							
28.0 -28.4	KRUZ 280P FL50 FSLK		256	196		IDFK 280, IDFK 281, IDFK 282, IDFK 283, IDFK 284 IDPK 280, IDPK 281, IDPK 282, IDPK 283, IDPK 284							
28.5 -28.9	KRUZ 285P FL50 FSLK		259	199		IDFK 285, IDFK 286, IDFK 287, IDFK 288, IDFK 289 IDPK 285, IDPK 286, IDPK 287, IDPK 288, IDPK 289							
29.0 -29.4	KRUZ 290P FL50 FSLK	32 (60)	263	203	39	IDFK 290, IDFK 291, IDFK 292, IDFK 293, IDFK 294 IDPK 290, IDPK 291, IDPK 292, IDPK 293, IDPK 294		CS 280 -295 SL	M4x8	2.0mm			
29.5 -29.9	KRUZ 295P FL50 FSLK		266	206		IDFK 295, IDFK 296, IDFK 297, IDFK 298, IDFK 299 IDPK 295, IDPK 296, IDPK 297, IDPK 298, IDPK 299							
30.0 -30.4	KRUZ 300P FL70 FSLK		269	209		IDFK 300, IDFK 301, IDFK 302, IDFK 303, IDFK 304 IDPK 300, IDPK 301, IDPK 302, IDPK 303, IDPK 304							
30.5 -30.9	KRUZ 305P FL70 FSLK		273	213		IDFK 305, IDFK 306, IDFK 307, IDFK 308, IDFK 309 IDPK 305, IDPK 306, IDPK 307, IDPK 308, IDPK 309							
31.0 -31.4	KRUZ 310P FL50 FSLK		276	216		IDFK 310, IDFK 311, IDFK 312, IDFK 313, IDFK 314 IDPK 310, IDPK 311, IDPK 312, IDPK 313, IDPK 314							
31.5 -31.9	KRUZ 315P FL70 FSLK		280	220		IDFK 315, IDFK 316, IDFK 317, IDFK 318, IDFK 319 IDPK 315, IDPK 316, IDPK 317, IDPK 318, IDPK 319							
32.0 -32.4	KRUZ 320P FL70 FSLK		283	223		IDFK 320, IDFK 321, IDFK 322, IDFK 323, IDFK 324 IDPK 320, IDPK 321, IDPK 322, IDPK 323, IDPK 324							
32.5 -32.9	KRUZ 325P FL70 FSLK		286	226		IDFK 325, IDFK 326, IDFK 327, IDFK 328, IDFK 329 IDPK 325, IDPK 326, IDPK 327, IDPK 328, IDPK 329							
33.0 -33.4	KRUZ 330P FL70 FSLK		290	230		IDFK 330, IDFK 331, IDFK 332, IDFK 333, IDFK 334 IDPK 330, IDPK 331, IDPK 332, IDPK 333, IDPK 334							
33.5 -33.9	KRUZ 335P FL70 FSLK		293	233		IDFK 335, IDFK 336, IDFK 337, IDFK 338, IDFK 339 IDPK 335, IDPK 336, IDPK 337, IDPK 338, IDPK 339							
34.0 -34.4	KRUZ 340P FL80 FSLK	40 (70)	307	237	70	IDFK 340, IDFK 341, IDFK 342, IDFK 343, IDFK 344 IDPK 340, IDPK 341, IDPK 342, IDPK 343, IDPK 344		CS 300 -315 SL	T20-Torx	5.0Nm (Max)	M5x10	2.5mm	
34.5 -34.9	KRUZ 345P FL80 FSLK		310	240		IDFK 345, IDFK 346, IDFK 347, IDFK 348, IDFK 349 IDPK 345, IDPK 346, IDPK 347, IDPK 348, IDPK 349							
35.0 -35.4	KRUZ 350P FL80 FSLK		313	243		IDFK 350, IDFK 351, IDFK 352, IDFK 353, IDFK 354 IDPK 350, IDPK 351, IDPK 352, IDPK 353, IDPK 354							
35.5 -35.9	KRUZ 355P FL80 FSLK		317	247		IDFK 355, IDFK 356, IDFK 357, IDFK 358, IDFK 359 IDPK 355, IDPK 356, IDPK 357, IDPK 358, IDPK 359							

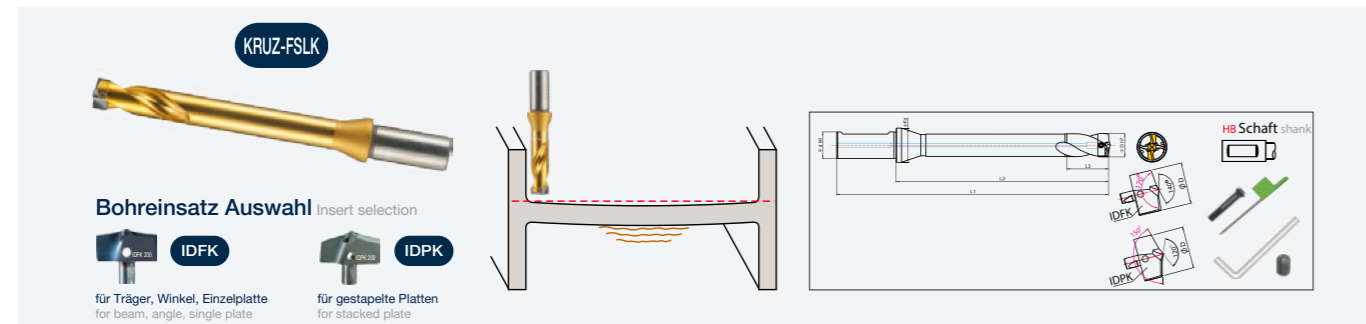
KRUZ-FSLK Grundkörper (5xD), IDFK & IDPK Bohreinsätze

KRUZ-FSLK Flanged Body (5xD), IDFK & IDPK Inserts

Bohrbereich Drilling range	Halter 5xD Art.Nr. Body 5xD Item No.	Schaftausführung Ød Shank Ød	Dimension Dimension			Flanschdurchmesser (ØFd) Flanged dia.(ØFd)	IDFK einfügen Insert IDFK	IDPK einfügen Insert IDPK	Kopfschraube Cap Screw	Torx-Schraubenschlüssel Torx driver	Gewindestift Set Screw	Innen 6-Kant Schraubenschlüssel L-wrench
			L1	L2	L3		IDFK	IDPK				
36.0 -36.4	KRUZ 360P FL80 FSLK	40 (70)	320	250	80	IDFK 360, IDFK 361, IDFK 362, IDFK 363, IDFK 364 IDPK 360, IDPK 361, IDPK 362, IDPK 363, IDPK 364		CS 360 -395 SL	M5x10	2.5mm		
36.5 -36.9	KRUZ 365P FL80 FSLK		324	254		IDFK 365, IDFK 366, IDFK 367, IDFK 368, IDFK 369 IDPK 365, IDPK 366, IDPK 367, IDPK 368, IDPK 369						
37.0 -37.4	KRUZ 370P FL80 FSLK		327	257		IDFK 370, IDFK 371, IDFK 372, IDFK 373, IDFK 374 IDPK 370, IDPK 371, IDPK 372, IDPK 373, IDPK 374						
37.5 -37.9	KRUZ 375P FL80 FSLK		330	260		IDFK 375, IDFK 376, IDFK 377, IDFK 378, IDFK 379 IDPK 375, IDPK 376, IDPK 377, IDPK 378, IDPK 379						
38.0 -38.4	KRUZ 380P FL80 FSLK		334	264		IDFK 380, IDFK 381, IDFK 382, IDFK 383, IDFK 384 IDPK 380, IDPK 381, IDPK 382, IDPK 383, IDPK 384						
38.5 -38.9	KRUZ 385P FL80 FSLK		337	267		IDFK 385, IDFK 386, IDFK 387, IDFK 388, IDFK 389 IDPK 385, IDPK 386, IDPK 387, IDPK 388, IDPK 389						
39.0 -39.4	KRUZ 390P FL80 FSLK		341	271		IDFK 390, IDFK 391, IDFK 392, IDFK 393, IDFK 394 IDPK 390, IDPK 391, IDPK 392, IDPK 393, IDPK 394						
39.5 -39.9	KRUZ 395P FL80 FSLK		344	274		IDFK 395, IDFK 396, IDFK 397, IDFK 398, IDFK 399 IDPK 395, IDPK 396, IDPK 397, IDPK 398, IDPK 399						
40.0 -40.4	KRUZ 400P FL80 FSLK		347	277		IDFK 400, IDFK 401, IDFK 402, IDFK 403, IDFK 404 IDPK 400, IDPK 401, IDPK 402, IDPK 403, IDPK 404						
40.5 -40.9	KRUZ 405P FL80 FSLK		351	281		IDFK 405, IDFK 406, IDFK 407, IDFK 408, IDFK 409 IDPK 405, IDPK 406, IDPK 407, IDPK 408, IDPK 409						
41.0 -41.4	KRUZ 410P FL80 FSLK	54	354	284	54	IDFK 410, IDFK 411, IDFK 412, IDFK 413, IDFK 414 IDPK 410, IDPK 411, IDPK 412, IDPK 413, IDPK 414		CS 400 -445 SL	T20-Torx	5.0Nm (Max)		
41.5 -41.9	KRUZ 415P FL80 FSLK		358	288		IDFK 415, IDFK 416, IDFK 417, IDFK 418, IDFK 419 IDPK 415, IDPK 416, IDPK 417, IDPK 418, IDPK 419						
42.0 -42.4	KRUZ 420P FL80 FSLK		361	291		IDFK 420, IDFK 421, IDFK 422, IDFK 423, IDFK 424 IDPK 420, IDPK 421, IDPK 422, IDPK 423, IDPK 424						
42.5 -42.9	KRUZ 425P FL80 FSLK		364	294		IDFK 425, IDFK 426, IDFK 427, IDFK 428, IDFK 429 IDPK 425, IDPK 426, IDPK 427, IDPK 428, IDPK 429						
43.0 -43.4	KRUZ 430P FL80 FSLK		368	298		IDFK 430, IDFK 431, IDFK 432, IDFK 433, IDFK 434 IDPK 430, IDPK 431, IDPK 432, IDPK 433, IDPK 434						
43.5 -43.9	KRUZ 435P FL80 FSLK		371	301		IDFK 435, IDFK 436, IDFK 437, IDFK 438, IDFK 439 IDPK 435, IDPK 436, IDPK 437, IDPK 438, IDPK 439						
44.0 -44.4	KRUZ 440P FL80 FSLK		375	305		IDFK 440, IDFK 441, IDFK 442, IDFK 443, IDFK 444 IDPK 440, IDPK 441, IDPK 442, IDPK 443, IDPK 444						
44.5 -44.9	KRUZ 445P FL80 FSLK		378	308		IDFK 445, IDFK 446, IDFK 447, IDFK 448, IDFK 449 IDPK 445, IDPK 446, IDPK 447, IDPK 448, IDPK 449						
45.0 -45.4	KRUZ 450P FL80 FSLK		381	311		IDFK 450, IDFK 451, IDFK 452, IDFK 453, IDFK 454 IDPK 450, IDPK 451, IDPK 452, IDPK 453, IDPK 454						
45.5 -45.9	KRUZ 455P FL80 FSLK		385	315		IDFK 455, IDFK 456, IDFK 457, IDFK 458, IDFK 459 IDPK 455, IDPK 456, IDPK 457, IDPK 458, IDPK 459						
46.0 -46.4	KRUZ 460P FL80 FSLK	90	388	318	90	IDFK 460, IDFK 461, IDFK 462, IDFK 463, IDFK 464 IDPK 460, IDPK 461, IDPK 462, IDPK 463, IDPK 464		CS 450 -500 SL				
46.5 -46.9	KRUZ 465P FL80 FSLK		392	322		IDFK 465, IDFK 466, IDFK 467, IDFK 468, IDFK 469 IDPK 465, IDPK 466, IDPK 467, IDPK 468, IDPK 469						
47.0 -47.4	KRUZ 470P FL80 FSLK		395	325		IDFK 470, IDFK 471, IDFK 472, IDFK 473, IDFK 474 IDPK 470, IDPK 471, IDPK 472, IDPK 473, IDPK 474						
47.5 -47.9	KRUZ 475P FL80 FSLK		398	328		IDFK 475, IDFK 476, IDFK 477, IDFK 478, IDFK 479 IDPK 475, IDPK 476, IDPK 477, IDPK 478, IDPK 479						
48.0 -48.4	KRUZ 480P FL90 FSLK		402	332		IDFK 480, IDFK 481, IDFK 482, IDFK 483, IDFK 484 IDPK 480, IDPK 481, IDPK 482, IDPK 483, IDPK 484						
48.5 -48.9	KRUZ 485P FL90 FSLK		405	335		IDFK 485, IDFK 486, IDFK 487, IDFK 488, IDFK 489 IDPK 485, IDPK 486, IDPK 487, IDPK 488, IDPK 489						
49.0 -49.4	KRUZ 490P FL90 FSLK		409	339		IDFK 490, IDFK 491, IDFK 492, IDFK 493, IDFK 494 IDPK 490, IDPK 491, IDPK 492, IDPK 493, IDPK 494						
49.5 -49.9	KRUZ 495P FL90 FSLK		412	342		IDFK 495, IDFK 496, IDFK 497, IDFK 498, IDFK 499 IDPK 495, IDPK 496, IDPK 497, IDPK 498, IDPK 499						
50.0 -50.4	KRUZ 500P FL90 FSLK		415	345		IDFK 500, IDFK 501, IDFK 502, IDFK 503, IDFK 504 IDPK 500, IDPK 501, IDPK 502, IDPK 503, IDPK 504						

KRUZ-FSLK: Bohrkörper (7xD), IDFK & IDPK Bohreinsätze

KRUZ-FSLK: Drill bodies (7xD), IDFK & IDPK inserts



- Für größere Bohrtiefen: idealer Bohrer für Arbeiten nah am Flansch
When requires longer drill length, select this ideal drill body
- Zylindrische Ausführung - Bohren näher an Störkontur möglich
Cylindrical design - drilling closer to interfering contours possible
- Mit Innenkühlung
Internal coolant
- Erhöhte Steifigkeit des Bohrers im Vergleich zu gewöhnlichen Bohrern mit 5xD Länge
Increased drill's rigidity than ordinary 5xDia drill length
- Minimierte Spannut mit längerem zylindrischen Schaft
Minimized flute design with longer cylindrical neck
- Grundkörper mit Flansch zur Verringerung von Vibrationen
Flanged shank to reduce chattering or vibrating
- Geeignet für Bohrtiefe 50-90 mm
Suitable for drilling depths of 50-90 mm

Bohrbereich Drilling range	Halter 7xD Art.Nr. Item No.	Schaft ausführung Ød Shank Ød	Dimension Dimension			Flansch- durchmesser (ØFd) Flanged dia.(ØFd)	IDFK einfügen Insert IDFK		IDPK einfügen Insert IDPK	Kopfschraube Cap Screw	Torx- Schrauben- schlüssel Torx driver	Gewindestift Set Screw	Innen 6-Kant Schrauben- schlüssel L-wrench											
			L1	L2	L3		IDFK	IDPK																
12.0-12.4	KRUZ 120H FL50 FSLK	16 (48)	157	109	21	21	IDFK 120, IDFK 121, IDFK 122, IDFK 123, IDFK 124 IDPK 120, IDPK 121, IDPK 122, IDPK 123, IDPK 124	CS 120 -135 SL	T6-Torx	0.6Nm (Max)														
12.5-12.9	KRUZ 125H FL50 FSLK		161	113																				
13.0-13.4	KRUZ 130H FL50 FSLK		166	118																				
13.5-13.9	KRUZ 135H FL50 FSLK		170	122																				
14.0-14.4	KRUZ 140H FL50 FSLK		175	127																				
14.5-14.9	KRUZ 145H FL50 FSLK		181	131																				
15.0-15.4	KRUZ 150H FL50 FSLK		187	137																				
15.5-15.9	KRUZ 155H FL50 FSLK		192	142																				
16.0-16.4	KRUZ 160H FL50 FSLK		196	146																				
16.5-16.9	KRUZ 165H FL50 FSLK		201	151																				
17.0-17.4	KRUZ 170H FL50 FSLK		205	155																				
17.5-17.9	KRUZ 175H FL50 FSLK		209	159																				
18.0-18.4	KRUZ 180H FL50 FSLK		214	164																				
18.5-18.9	KRUZ 185H FL50 FSLK		218	168																				
19.0-19.4	KRUZ 190H FL50 FSLK		223	173																				
19.5-19.9	KRUZ 195H FL50 FSLK		227	177																				
20.0-20.4	KRUZ 200H FL50 FSLK	25 (56)	237	181	27	27	IDFK 150, IDFK 151, IDFK 152, IDFK 153, IDFK 154 IDPK 150, IDPK 151, IDPK 152, IDPK 153, IDPK 154	CS 140 -155 SL	T7-Torx	M2.5x4	1.3mm													
20.5-20.9	KRUZ 205H FL50 FSLK		242	186			IDFK 155, IDFK 156, IDFK 157, IDFK 158, IDFK 159 IDPK 155, IDPK 156, IDPK 157, IDPK 158, IDPK 159																	
21.0-21.4	KRUZ 210H FL50 FSLK		246	190			IDFK 160, IDFK 161, IDFK 162, IDFK 163, IDFK 164 IDPK 160, IDPK 161, IDPK 162, IDPK 163, IDPK 164						CS 160 -175 SL	T8-Torx	1.5Nm (Max)	M3x6	1.5mm							
21.5-21.9	KRUZ 215H FL50 FSLK		251	195			IDFK 165, IDFK 166, IDFK 167, IDFK 168, IDFK 169 IDPK 165, IDPK 166, IDPK 167, IDPK 168, IDPK 169																	
22.0-22.4	KRUZ 220H FL50 FSLK	25 (56)	255	199	32	32	IDFK 170, IDFK 171, IDFK 172, IDFK 173, IDFK 174 IDPK 170, IDPK 171, IDPK 172, IDPK 173, IDPK 174	CS 200 -215 SL	T8-Torx	1.5Nm (Max)	M3x6	1.5mm												
22.5-22.9	KRUZ 225H FL50 FSLK		259	203			IDFK 175, IDFK 176, IDFK 177, IDFK 178, IDFK 179 IDPK 175, IDPK 176, IDPK 177, IDPK 178, IDPK 179																	
23.0-23.4	KRUZ 230H FL50 FSLK		264	208			IDFK 180, IDFK 181, IDFK 182, IDFK 183, IDFK 184 IDPK 180, IDPK 181, IDPK 182, IDPK 183, IDPK 184																	
23.5-23.9	KRUZ 235H FL50 FSLK		268	212			IDFK 185, IDFK 186, IDFK 187, IDFK 188, IDFK 189 IDPK 185, IDPK 186, IDPK 187, IDPK 188, IDPK 189																	
24.0-24.4	KRUZ 240H FL50 FSLK		277	217			IDFK 190, IDFK 191, IDFK 192, IDFK 193, IDFK 194 IDPK 190, IDPK 191, IDPK 192, IDPK 193, IDPK 194						CS 180 -195 SL	T8-Torx	1.5Nm (Max)	M3x6	1.5mm							
24.5-24.9	KRUZ 245H FL50 FSLK		281	221			IDFK 195, IDFK 196, IDFK 197, IDFK 198, IDFK 199 IDPK 195, IDPK 196, IDPK 197, IDPK 198, IDPK 199																	
25.0-25.4	KRUZ 250H FL50 FSLK		285	225			IDFK 200, IDFK 201, IDFK 202, IDFK 203, IDFK 204 IDPK 200, IDPK 201, IDPK 202, IDPK 203, IDPK 204						CS 200 -215 SL	T8-Torx	1.5Nm (Max)	M3x6	1.5mm							
25.5-25.9	KRUZ 255H FL50 FSLK		290	230			IDFK 205, IDFK 206, IDFK 207, IDFK 208, IDFK 209 IDPK 205, IDPK 206, IDPK 207, IDPK 208, IDPK 209																	
26.0-26.4	KRUZ 260H FL50 FSLK		294	234			IDFK 210, IDFK 211, IDFK 212, IDFK 213, IDFK 214 IDPK 210, IDPK 211, IDPK 212, IDPK 213, IDPK 214																	
26.5-26.9	KRUZ 265H FL50 FSLK		299	239			IDFK 215, IDFK 216, IDFK 217, IDFK 218, IDFK 219 IDPK 215, IDPK 216, IDPK 217, IDPK 218, IDPK 219																	
27.0-27.4	KRUZ 270H FL50 FSLK		303	243			IDFK 220, IDFK 221, IDFK 222, IDFK 223, IDFK 224 IDPK 220, IDPK 221, IDPK 222, IDPK 223, IDPK 224																	
27.5-27.9	KRUZ 275H FL50 FSLK		307	247			IDFK 225, IDFK 226, IDFK 227, IDFK 228, IDFK 229 IDPK 225, IDPK 226, IDPK 227, IDPK 228, IDPK 229																	
28.0-28.4	KRUZ 280H FL50 FSLK		312	252			IDFK 230, IDFK 231, IDFK 232, IDFK 233, IDFK 234 IDPK 230, IDPK 231, IDPK 232, IDPK 233, IDPK 234																	
28.5-28.9	KRUZ 285H FL50 FSLK		316	256			IDFK 235, IDFK 236, IDFK 237, IDFK 238, IDFK 239 IDPK 235, IDPK 236, IDPK 237, IDPK 238, IDPK 239																	
29.0-29.4	KRUZ 290H FL50 FSLK		321	261			IDFK 240, IDFK 241, IDFK 242, IDFK 243, IDFK 244 IDPK 240, IDPK 241, IDPK 242, IDPK 243, IDPK 244												CS 280 -295 SL	T15-Torx	3.5Nm (Max)	M4x8	2.0mm	
29.5-29.9	KRUZ 295H FL50 FSLK		325	265			IDFK 245, IDFK 246, IDFK 247, IDFK 248, IDFK 249 IDPK 245, IDPK 246, IDPK 247, IDPK 248, IDPK 249																	
30.0-30.4	KRUZ 300H FL70 FSLK	329	269	IDFK 250, IDFK 251, IDFK 252, IDFK 253, IDFK 254 IDPK 250, IDPK 251, IDPK 252, IDPK 253, IDPK 254	CS 300 -315 SL	T20-Torx	5.0Nm (Max)	M5x10	2.5mm															
30.5-30.9	KRUZ 305H FL70 FSLK	334	274	IDFK 255, IDFK 256, IDFK 257, IDFK 258, IDFK 259 IDPK 255, IDPK 256, IDPK 257, IDPK 258, IDPK 259																				
31.0-31.4	KRUZ 310H FL70 FSLK	338	278	IDFK 260, IDFK 261, IDFK 262, IDFK 263, IDFK 264 IDPK 260, IDPK 261, IDPK 262, IDPK 263, IDPK 264																				
31.5-31.9	KRUZ 315H FL70 FSLK	343	283	IDFK 265, IDFK 266, IDFK 267, IDFK 268, IDFK 269 IDPK 265, IDPK 266, IDPK 267, IDPK 268, IDPK 269																				
32.0-32.4	KRUZ 320H FL70 FSLK	347	287	IDFK 270, IDFK 271, IDFK 272, IDFK 273, IDFK 274 IDPK 270, IDPK 271, IDPK 272, IDPK 273, IDPK 274																				
32.5-32.9	KRUZ 325H FL70 FSLK	351	291	IDFK 275, IDFK 276, IDFK 277, IDFK 278, IDFK 279 IDPK 275, IDPK 276, IDPK 277, IDPK 278, IDPK 279																				
33.0-33.4	KRUZ 330H FL70 FSLK	356	296	IDFK 280, IDFK 281, IDFK 282, IDFK 283, IDFK 284 IDPK 280, IDPK 281, IDPK 282, IDPK 283, IDPK 284																				
33.5-33.9	KRUZ 335H FL70 FSLK	360	300	IDFK 285, IDFK 286, IDFK 287, IDFK 288, IDFK 289 IDPK 285, IDPK 286, IDPK 287, IDPK 288, IDPK 289																				
34.0-34.4	KRUZ 340H FL80 FSLK	375	305	IDFK 290, IDFK 291, IDFK 292, IDFK 293, IDFK 294 IDPK 290, IDPK 291, IDPK 292, IDPK 293, IDPK 294							CS 320 -355 SL	T20-Torx	5.0Nm (Max)	M5x10	2.5mm									
34.5-34.9	KRUZ 345H FL80 FSLK	379	309	IDFK 295, IDFK 296, IDFK 297, IDFK 298, IDFK 299 IDPK 295, IDPK 296, IDPK 297, IDPK 298, IDPK 299																				
35.0-35.4	KRUZ 350H FL80 FSLK	383	313	IDFK 300, IDFK 301, IDFK 302, IDFK 303, IDFK 304 IDPK 300, IDPK 301, IDPK 302, IDPK 303, IDPK 304																				
35.5-35.9	KRUZ 355H FL80 FSLK	388	318	IDFK 305, IDFK 306, IDFK 307, IDFK 308, IDFK 309 IDPK 305, IDPK 306, IDPK 307, IDPK 308, IDPK 309																				

KRUZ-FSLK: Bohrkörper (7xD), IDFK & IDPK Bohreinsätze

KRUZ-FSLK: Drill bodies (7xD), IDFK & IDPK inserts

Bohrbereich Drilling range	Halter 7xD Art.Nr. Item No.	Schaft ausführung Ød Shank Ød	Dimension Dimension			Flansch- durchmesser (ØFd) Flanged dia.(ØFd)	IDFK einfügen Insert IDFK		IDPK einfügen Insert IDPK	Kopfschraube Cap Screw	Torx- Schrauben- schlüssel Torx driver	Gewindestift Set Screw	Innen 6-Kant Schrauben- schlüssel L-wrench					
			L1	L2	L3		IDFK	IDPK										
21.0-21.4	KRUZ 210H FL50 FSLK	25 (56)	246	190	32	32	IDFK 210, IDFK 211, IDFK 212, IDFK 213, IDFK 214 IDPK 210, IDPK 211, IDPK 212, IDPK 213, IDPK 214	CS 200 -215 SL										
21.5-21.9	KRUZ 215H FL50 FSLK		251	195			IDFK 215, IDFK 216, IDFK 217, IDFK 218, IDFK 219 IDPK 215, IDPK 216, IDPK 217, IDPK 218, IDPK 219											
22.0-22.4	KRUZ 220H FL50 FSLK		255	199			IDFK 220, IDFK 221, IDFK 222, IDFK 223, IDFK 224 IDPK 220, IDPK 221, IDPK 222, IDPK 223, IDPK 224											
22.5-22.9	KRUZ 225H FL50 FSLK		259	203			IDFK 225, IDFK 226, IDFK 227, IDFK 228, IDFK 229 IDPK 225, IDPK 226, IDPK 227, IDPK 228, IDPK 229											
23.0-23.4	KRUZ 230H FL50 FSLK		264	208			IDFK 230, IDFK 231, IDFK 232, IDFK 233, IDFK 234 IDPK 230, IDPK 231, IDPK 232, IDPK 233, IDPK 234											
23.5-23.9	KRUZ 235H FL50 FSLK		268	212			IDFK 235, IDFK 236, IDFK 237, IDFK 238, IDFK 239 IDPK 235, IDPK 236, IDPK 237, IDPK 238, IDPK 239											
24.0-24.4	KRUZ 240H FL50 FSLK		277	217			IDFK 240, IDFK 241, IDFK 242, IDFK 243, IDFK 244 IDPK 240, IDPK 241, IDPK 242, IDPK 243, IDPK 244						CS 240 -255 SL	T8-Torx	1.5Nm (Max)	M3x6	1.5mm	
24.5-24.9	KRUZ 245H FL50 FSLK		281	221			IDFK 245, IDFK 246, IDFK 247, IDFK 248, IDFK 249 IDPK 245, IDPK 246, IDPK 247, IDPK 248, IDPK 249											
25.0-25.4	KRUZ 250H FL50 FSLK		285	225			IDFK 250, IDFK 251, IDFK 252, IDFK 253, IDFK 254 IDPK 250, IDPK 251, IDPK 252, IDPK 253, IDPK 254											
25.5-25.9	KRUZ 255H FL50 FSLK		290	230			IDFK 255, IDFK 256, IDFK 257, IDFK 258, IDFK 259 IDPK 255, IDPK 256, IDPK 257, IDPK 258, IDPK 259											
26.0-26.4	KRUZ 260H FL50 FSLK		294	234			IDFK 260, IDFK 261, IDFK 262, IDFK 263, IDFK 264 IDPK 260, IDPK 261, IDPK 262, IDPK 263, IDPK 264											
26.5-26.9	KRUZ 265H FL50 FSLK		299	239			IDFK 265, IDFK 266, IDFK 267, IDFK 268, IDFK 269 IDPK 265, IDPK 266, IDPK 267, IDPK 268, IDPK 269											
27.0-27.4	KRUZ 270H FL50 FSLK		303	243			IDFK 270, IDFK 271, IDFK 272, IDFK 273, IDFK 274 IDPK 270, IDPK 271, IDPK 272, IDPK 273, IDPK 274											
27.5-27.9	KRUZ 275H FL50 FSLK		307	247			IDFK 275, IDFK 276, IDFK 277, IDFK 278, IDFK 279 IDPK 275, IDPK 276, IDPK 277, IDPK 278, IDPK 279											
28.0-28.4	KRUZ 280H FL50 FSLK		312	252			IDFK 280, IDFK 281, IDFK 282, IDFK 283, IDFK 284 IDPK 280, IDPK 281, IDPK 282, IDPK 283, IDPK 284											
28.5-28.9	KRUZ 285H FL50 FSLK		316	256			IDFK 285, IDFK 286, IDFK 287, IDFK 288, IDFK 289 IDPK 285, IDPK 286, IDPK 287, IDPK 288, IDPK 289						CS 280 -295 SL	T15-Torx	3.5Nm (Max)	M4x8	2.0mm	
29.0-29.4	KRUZ 290H FL50 FSLK	321	261	IDFK 290, IDFK 291, IDFK 292, IDFK 293, IDFK 294 IDPK 290, IDPK 291, IDPK 292, IDPK 293, IDPK 294														
29.5-29.9	KRUZ 295H FL50 FSLK	325	265	IDFK 295, IDFK 296, IDFK 297, IDFK 298, IDFK 299 IDPK 295, IDPK 296, IDPK 297, IDPK 298, IDPK 299														
30.0-30.4	KRUZ 300H FL70 FSLK	329	269	IDFK 300, IDFK 301, IDFK 302, IDFK 303, IDFK 304 IDPK 300, IDPK 301, IDPK 302, IDPK 303, IDPK 304	CS 300 -315 SL	T20-Torx	5.0Nm (Max)	M5x10	2.5mm									
30.5-30.9	KRUZ 305H FL70 FSLK	334	274	IDFK 305, IDFK 306, IDFK 307, IDFK 308, IDFK 309 IDPK 305, IDPK 306, IDPK 307, IDPK 308, IDPK 309														
31.0-31.4	KRUZ 310H FL70 FSLK	338	278	IDFK 310, IDFK 311, IDFK 312, IDFK 313, IDFK 314 IDPK 310, IDPK 311, IDPK 312, IDPK 313, IDPK 314														
31.5-31.9	KRUZ 315H FL70 FSLK	343	283	IDFK 315, IDFK 316, IDFK 317, IDFK 318, IDFK 319 IDPK 315, IDPK 316, IDPK 317, IDPK 318, IDPK 319														
32.0-32.4	KRUZ 320H FL70 FSLK	347	287	IDFK 320, IDFK 321, IDFK 322, IDFK 323, IDFK 324 IDPK 320, IDPK 321, IDPK 322, IDPK 323, IDPK 324														
32.5-32.9	KRUZ 325H FL70 FSLK	351	291	IDFK 325, IDFK 326, IDFK 327, IDFK 328, IDFK 329 IDPK 325, IDPK 326, IDPK 327, IDPK 328, IDPK 329														
33.0-33.4	KRUZ 330H FL70 FSLK	356	296	IDFK 330, IDFK 331, IDFK 332, IDFK 333, IDFK 334 IDPK 330, IDPK 331, IDPK 332, IDPK 333, IDPK 334														
33.5-33.9	KRUZ 335H FL70 FSLK	360	300	IDFK 335, IDFK 336, IDFK 337, IDFK 338, IDFK 339 IDPK 335, IDPK 336, IDPK 337, IDPK 338, IDPK 339														
34.0-34.4	KRUZ 340H FL80 FSLK	375	305	IDFK 340, IDFK 341, IDFK 342, IDFK 343, IDFK 344 IDPK 340, IDPK 341, IDPK 342, IDPK 343, IDPK 344							CS 320 -355 SL	T20-Torx	5.0Nm (Max)	M5x10	2.5mm			
34.5-34.9	KRUZ 345H FL80 FSLK	379	309	IDFK 345, IDFK 346, IDFK 347, IDFK 348, IDFK 349 IDPK 345, IDPK 346, IDPK 347, IDPK 348, IDPK 349														
35.0-35.4	KRUZ 350H FL80 FSLK	383	313	IDFK 350, IDFK 351, IDFK 352, IDFK 353, IDFK 354 IDPK 350, IDPK 351, IDPK 352, IDPK 353, IDPK 354														
35.5-35.9	KRUZ 355H FL80 FSLK	388	318	IDFK 355, IDFK 356, IDFK 357, IDFK 358, IDFK 359 IDPK 355, IDPK 356, IDPK 357, IDPK 358, IDPK 359														

KRUZ-FSLK: Bohrkörper (7xD), IDFK & IDPK Bohreinsätze

KRUZ-FSLK: Drill bodies (7xD), IDFK & IDPK inserts

Bohrbereich Drilling range	Halter 7xD Art.Nr. Body 7xD Item No.	Schaft ausführung Ød Shank Ød	Dimension Dimension			Flanschdurchmesser (ØFd) Flanged dia.(ØFd)	IDFK einfügen Insert IDFK IDFK	IDPK einfügen Insert IDPK IDPK	Kopfschraube Cap Screw	Torx-Schraubenschlüssel Torx driver	Gewindestift Set Screw	Innen 6-Kant Schraubenschlüssel L-wrench
			L1	L2	L3							
36.0 -36.4	KRUZ 360H FL80 FSLK	40 (70)	392	322	54	IDFK 360, IDFK 361, IDFK 362, IDFK 363, IDFK 364 IDPK 360, IDPK 361, IDPK 362, IDPK 363, IDPK 364	CS 360 -395 SL			M5x10	2.5mm	
36.5 -36.9	KRUZ 365H FL80 FSLK		397	327		IDFK 365, IDFK 366, IDFK 367, IDFK 368, IDFK 369 IDPK 365, IDPK 366, IDPK 367, IDPK 368, IDPK 369						
37.0 -37.4	KRUZ 370H FL80 FSLK		401	331		IDFK 370, IDFK 371, IDFK 372, IDFK 373, IDFK 374 IDPK 370, IDPK 371, IDPK 372, IDPK 373, IDPK 374						
37.5 -37.9	KRUZ 375H FL80 FSLK		405	335		IDFK 375, IDFK 376, IDFK 377, IDFK 378, IDFK 379 IDPK 375, IDPK 376, IDPK 377, IDPK 378, IDPK 379						
38.0 -38.4	KRUZ 380H FL80 FSLK		410	340		IDFK 380, IDFK 381, IDFK 382, IDFK 383, IDFK 384 IDPK 380, IDPK 381, IDPK 382, IDPK 383, IDPK 384						
38.5 -38.9	KRUZ 385H FL80 FSLK		414	344		IDFK 385, IDFK 386, IDFK 387, IDFK 388, IDFK 389 IDPK 385, IDPK 386, IDPK 387, IDPK 388, IDPK 389						
39.0 -39.4	KRUZ 390H FL80 FSLK		419	349		IDFK 390, IDFK 391, IDFK 392, IDFK 393, IDFK 394 IDPK 390, IDPK 391, IDPK 392, IDPK 393, IDPK 394						
39.5 -39.9	KRUZ 395H FL80 FSLK		423	353		IDFK 395, IDFK 396, IDFK 397, IDFK 398, IDFK 399 IDPK 395, IDPK 396, IDPK 397, IDPK 398, IDPK 399						
40.0 -40.4	KRUZ 400H FL80 FSLK		427	357		IDFK 400, IDFK 401, IDFK 402, IDFK 403, IDFK 404 IDPK 400, IDPK 401, IDPK 402, IDPK 403, IDPK 404						
40.5 -40.9	KRUZ 405H FL80 FSLK		432	362		IDFK 405, IDFK 406, IDFK 407, IDFK 408, IDFK 409 IDPK 405, IDPK 406, IDPK 407, IDPK 408, IDPK 409						
41.0 -41.4	KRUZ 410H FL80 FSLK	436	366	IDFK 410, IDFK 411, IDFK 412, IDFK 413, IDFK 414 IDPK 410, IDPK 411, IDPK 412, IDPK 413, IDPK 414								
41.5 -41.9	KRUZ 415H FL80 FSLK	441	371	IDFK 415, IDFK 416, IDFK 417, IDFK 418, IDFK 419 IDPK 415, IDPK 416, IDPK 417, IDPK 418, IDPK 419								
42.0 -42.4	KRUZ 420H FL80 FSLK	445	375	IDFK 420, IDFK 421, IDFK 422, IDFK 423, IDFK 424 IDPK 420, IDPK 421, IDPK 422, IDPK 423, IDPK 424								
42.5 -42.9	KRUZ 425H FL80 FSLK	449	379	IDFK 425, IDFK 426, IDFK 427, IDFK 428, IDFK 429 IDPK 425, IDPK 426, IDPK 427, IDPK 428, IDPK 429								
43.0 -43.4	KRUZ 430H FL80 FSLK	454	384	IDFK 430, IDFK 431, IDFK 432, IDFK 433, IDFK 434 IDPK 430, IDPK 431, IDPK 432, IDPK 433, IDPK 434								
43.5 -43.9	KRUZ 435H FL80 FSLK	458	388	IDFK 435, IDFK 436, IDFK 437, IDFK 438, IDFK 439 IDPK 435, IDPK 436, IDPK 437, IDPK 438, IDPK 439								
44.0 -44.4	KRUZ 440H FL80 FSLK	463	393	IDFK 440, IDFK 441, IDFK 442, IDFK 443, IDFK 444 IDPK 440, IDPK 441, IDPK 442, IDPK 443, IDPK 444								
44.5 -44.9	KRUZ 445H FL80 FSLK	467	397	IDFK 445, IDFK 446, IDFK 447, IDFK 448, IDFK 449 IDPK 445, IDPK 446, IDPK 447, IDPK 448, IDPK 449								
45.0 -45.4	KRUZ 450H FL80 FSLK	471	401	IDFK 450, IDFK 451, IDFK 452, IDFK 453, IDFK 454 IDPK 450, IDPK 451, IDPK 452, IDPK 453, IDPK 454								
45.5 -45.9	KRUZ 455H FL80 FSLK	476	406	IDFK 455, IDFK 456, IDFK 457, IDFK 458, IDFK 459 IDPK 455, IDPK 456, IDPK 457, IDPK 458, IDPK 459								
46.0 -46.4	KRUZ 460H FL80 FSLK	480	410	IDFK 460, IDFK 461, IDFK 462, IDFK 463, IDFK 464 IDPK 460, IDPK 461, IDPK 462, IDPK 463, IDPK 464								
46.5 -46.9	KRUZ 465H FL80 FSLK	485	415	IDFK 465, IDFK 466, IDFK 467, IDFK 468, IDFK 469 IDPK 465, IDPK 466, IDPK 467, IDPK 468, IDPK 469								
47.0 -47.4	KRUZ 470H FL80 FSLK	489	419	IDFK 470, IDFK 471, IDFK 472, IDFK 473, IDFK 474 IDPK 470, IDPK 471, IDPK 472, IDPK 473, IDPK 474								
47.5 -47.9	KRUZ 475H FL80 FSLK	493	423	IDFK 475, IDFK 476, IDFK 477, IDFK 478, IDFK 479 IDPK 475, IDPK 476, IDPK 477, IDPK 478, IDPK 479								
48.0 -48.4	KRUZ 480H FL90 FSLK	498	428	IDFK 480, IDFK 481, IDFK 482, IDFK 483, IDFK 484 IDPK 480, IDPK 481, IDPK 482, IDPK 483, IDPK 484								
48.5 -48.9	KRUZ 485H FL90 FSLK	502	432	IDFK 485, IDFK 486, IDFK 487, IDFK 488, IDFK 489 IDPK 485, IDPK 486, IDPK 487, IDPK 488, IDPK 489								
49.0 -49.4	KRUZ 490H FL90 FSLK	507	437	IDFK 490, IDFK 491, IDFK 492, IDFK 493, IDFK 494 IDPK 490, IDPK 491, IDPK 492, IDPK 493, IDPK 494								
49.5 -49.9	KRUZ 495H FL90 FSLK	511	441	IDFK 495, IDFK 496, IDFK 497, IDFK 498, IDFK 499 IDPK 495, IDPK 496, IDPK 497, IDPK 498, IDPK 499								
50.0 -50.4	KRUZ 500H FL90 FSLK	515	445	IDFK 500, IDFK 501, IDFK 502, IDFK 503, IDFK 504 IDPK 500, IDPK 501, IDPK 502, IDPK 503, IDPK 504								

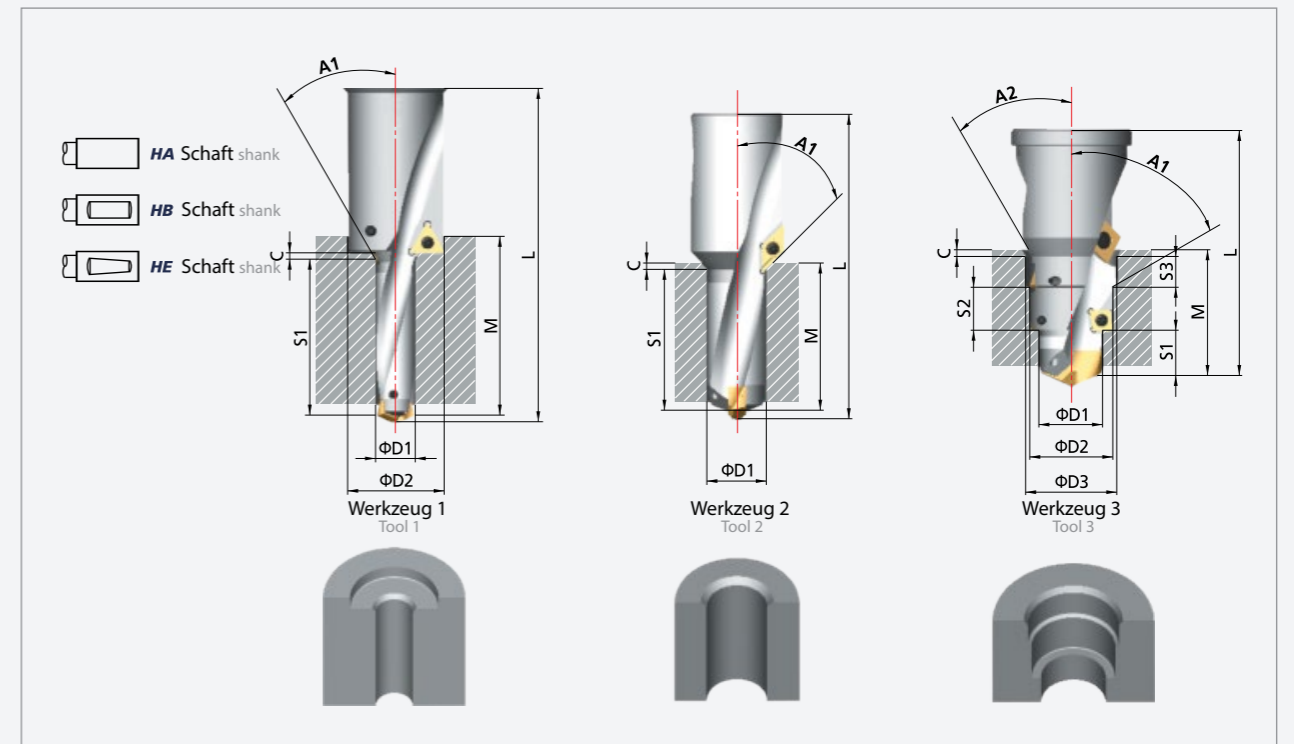
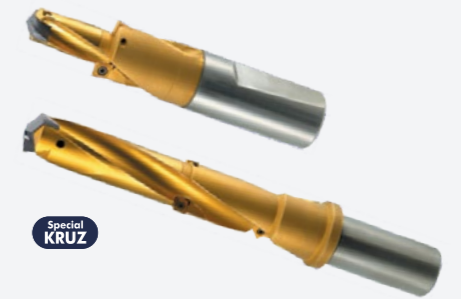
KRUZ Sonder: Stufenbohrer Grundkörper

KRUZ Special: Step Drill bodies

Sonderstufenbohrer: Wirtschaftliche Lösung mit einem Werkzeug

Special Step Drill Body: Cost-effective solution with one tool

- Innenkühlung zur optimalen Kühlung und besseren Spanabfuhr.
Internal cooling for optimum cooling and improved chip removal.
- Sonderstufenbohrer verwenden Standard Bohreinsätze (ID, IDP, IDFK) und ISO Standard Wendeschneidplatten. Special bodies use standard drill inserts (ID, IDP, IDFK). Uses ISO standard facing & chamfering inserts.
- Alle Bohreinsätze werden seitlich geklemmt. Kein Ausbau des Grundkörpers zum wechseln des Bohreinsatzes nötig.
All inserts lock from the side - no removing of the body to replace inserts.
- Reduzierte Zykluszeiten führen zu höherer Produktivität bei geringeren Kosten. Reduced cycle times result in higher productivity at reduced costs.



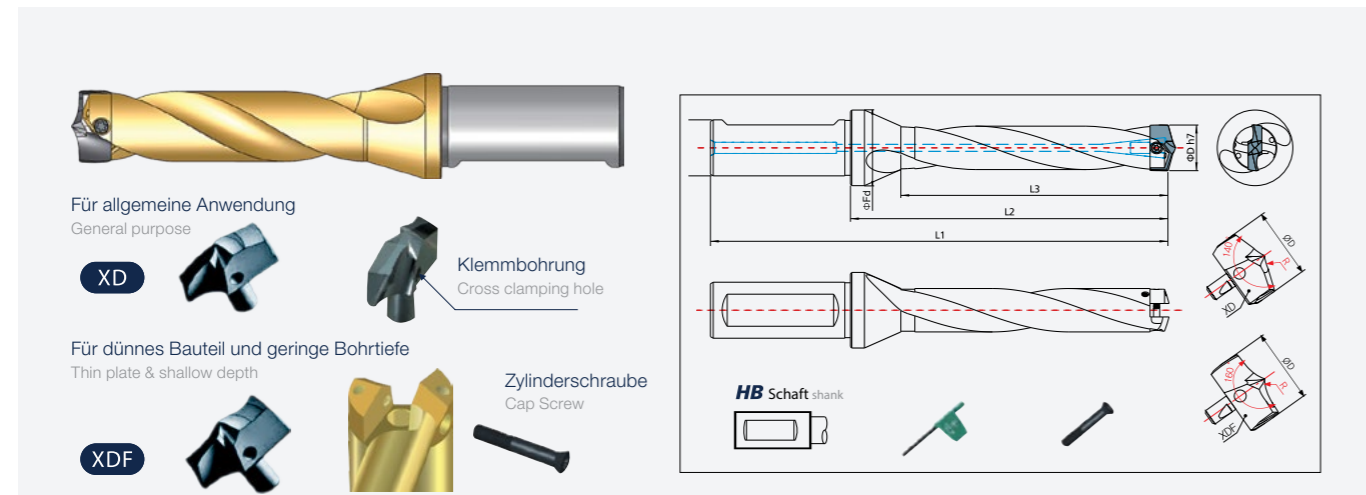
- Für die Erstellung eines individuellen Angebots benötigen wir den entsprechenden Werkzeugtyp sowie einen relevanten Zeichnungsausschnitt des Bauteils. Sende uns diese Informationen zu - wir kümmern uns um den Rest.
To prepare a customised quote, we require the relevant tool type and a relevant drawing excerpt of the component. Send us this information and we will take care of the rest.

Sende uns deine
Anfrage:
Send us your
enquiry:



X-Serie - für anspruchsvolle Anwendungen und exotische Materialien

X-Serie - for demanding applications and exotic materials



Für allgemeine Anwendung
General purpose

XD

Klemmbohrung
Cross clamping hole

Für dünnes Bauteil und geringe Bohrtiefe
Thin plate & shallow depth

XDF

Zylinderschraube
Cap Screw

- Optimierte Spanntgeometrie für geringere Maschinenbelastung und schnellere Spanabfuhr
Higher helix flute to reduce machine load and faster chip ejection
- Grundkörper mit Flansch für höhere Stabilität und Verringerung der Vibrationen Rugged flange type to decrease vibration or chattering
- Ein Grundkörper für viele Bohreinsätze ("XD", "XDF", "XDH", "XDFH") Interchangeable "XD", "XDF", "XDH", "XDFH"
- "XDH", "XDFH" für schwer zerspanbare Materialien, z.B. rostfreie Stähle, hitzebeständige Superlegierungen
"XDH", "XDFH" for materials that are difficult to machine, e.g., stainless steels, heat-resistant superalloys
- Der Bohrkörper besteht aus hochwertigem, wärmebehandeltem Werkzeugstahl Drill body consists of premium tool steel with heat treatment
- Erhöhte Standzeit durch ruhigen Lauf und maximale Prozesssicherheit
Increased service life thanks to smooth running and maximum process reliability
- Konstruktion mit innerer Kühlmittelversorgung Internal coolant fed design
- Serie "X" und Einsatz nur auf Anfrage erhältlich "X" series and insert available upon request only
- Schnelles und einfaches Klemmen mit nur einer Spannschraube Quick and easy clamping with just one clamping screw

Bohrbereich Drilling range	Artikel-Nr. Item No.	Schaftausführung Ød Shank Ød	Bohrtiefe (Länge x Bohrbereich) Cutting depth (Length Bohrbereich)	Dimension Dimension			Flanschdurchmesser (ØFd) Flanged dia.(ØFd)	Bohreinsatz Art.Nr. Insert Item No.to fit in body	Kopfschraube Cap Screw	Torx-Schraubenschlüssel Torx driver
				L1	L2	L3				
Ø10.0 - Ø10.4	X-100 □	12.0 (48)	T(3xD)	99	51	40	18	Allgemeine Anwendungen	CS 100 -115 SL	T6-Torx 0.6Nm (Max)
			P(5xD)	119	71	60		Für VA, HRSA		
			H(7xD)	139	91	80				
			L(10xD)	169	121	110				
Ø10.5 - Ø10.9	X-105 □	12.0 (48)	T(3xD)	102	54	42	18	Allgemeine Anwendungen	CS 100 -115 SL	T6-Torx 0.6Nm (Max)
			P(5xD)	123	75	63		Für VA, HRSA		
			H(7xD)	144	96	84				
			L(10xD)	176	128	116				
Ø11.0 - Ø11.4	X-110 □	12.0 (48)	T(3xD)	104	56	44	18	Allgemeine Anwendungen	CS 100 -115 SL	T6-Torx 0.6Nm (Max)
			P(5xD)	126	78	66		Für VA, HRSA		
			H(7xD)	148	100	88				
			L(10xD)	181	133	121				
Ø11.5 - Ø11.9	X-115 □	12.0 (48)	T(3xD)	107	59	46	18	Allgemeine Anwendungen	CS 100 -115 SL	T6-Torx 0.6Nm (Max)
			P(5xD)	130	82	69		Für VA, HRSA		
			H(7xD)	153	105	92				
			L(10xD)	188	140	127				

Gewünschte Schnitttiefe □ z. B. T, P, H, L
Please make required cutting depth in the □ like T, P, H, L

X-Serie - für anspruchsvolle Anwendungen und exotische Materialien

X-Serie - for demanding applications and exotic materials

Bohrbereich Drilling range	Artikel-Nr. Item No.	Schaftausführung Ød Shank Ød	Bohrtiefe (Länge x Bohrbereich) Cutting depth (Length Bohrbereich)	Dimension Dimension			Flanschdurchmesser (ØFd) Flanged dia.(ØFd)	Bohreinsatz Art.Nr. Insert Item No.to fit in body	Kopfschraube Cap Screw	Torx-Schraubenschlüssel Torx driver
				L1	L2	L3				
Ø12.0 - Ø12.4	X-120 □	16.0 (48)	T(3xD)	109	61	48	21	Allgemeine Anwendungen	CS 120 -135 SL	T6-Torx 0.6Nm (Max)
			P(5xD)	133	85	72		Für VA, HRSA		
			H(7xD)	157	109	96				
			L(10xD)	193	145	132				
Ø12.5 - Ø12.9	X-125 □	16.0 (48)	T(3xD)	111	63	50	21	Allgemeine Anwendungen	CS 120 -135 SL	T6-Torx 0.6Nm (Max)
			P(5xD)	136	88	75		Für VA, HRSA		
			H(7xD)	161	113	100				
			L(10xD)	199	151	138				
Ø13.0 - Ø13.4	X-130 □	16.0 (48)	T(3xD)	114	66	52	21	Allgemeine Anwendungen	CS 120 -135 SL	T6-Torx 0.6Nm (Max)
			P(5xD)	140	92	78		Für VA, HRSA		
			H(7xD)	166	118	104				
			L(10xD)	205	157	143				
Ø13.5 - Ø13.9	X-135 □	16.0 (48)	T(3xD)	116	68	54	21	Allgemeine Anwendungen	CS 120 -135 SL	T6-Torx 0.6Nm (Max)
			P(5xD)	143	95	81		Für VA, HRSA		
			H(7xD)	170	122	108				
			L(10xD)	211	163	149				
Ø14.0 - Ø14.4	X-140 □	16.0 (48)	T(3xD)	119	71	56	21	Allgemeine Anwendungen	CS 120 -135 SL	T6-Torx 0.6Nm (Max)
			P(5xD)	147	99	84		Für VA, HRSA		
			H(7xD)	175	127	112				
			L(10xD)	217	169	154				
Ø14.5 - Ø14.9	X-145 □	16.0 (48)	T(3xD)	123	73	58	21	Allgemeine Anwendungen	CS 120 -135 SL	T6-Torx 0.6Nm (Max)
			P(5xD)	152	102	87		Für VA, HRSA		
			H(7xD)	181	131	116				
			L(10xD)	225	175	160				
Ø15.0 - Ø15.4	X-150 □	16.0 (48)	T(3xD)	127	77	60	21	Allgemeine Anwendungen	CS 120 -135 SL	T6-Torx 0.6Nm (Max)
			P(5xD)	157	107	90		Für VA, HRSA		
			H(7xD)	187	137	120				
			L(10xD)	232	182	165				
Ø15.5 - Ø15.9	X-155 □	16.0 (48)	T(3xD)	130	80	62	21	Allgemeine Anwendungen	CS 120 -135 SL	T6-Torx 0.6Nm (Max)
			P(5xD)	161	111	93		Für VA, HRSA		
			H(7xD)	192	142	124				
			L(10xD)	239	189	171				
Ø16.0 - Ø16.4	X-160 □	16.0 (48)	T(3xD)	132	82	64	27	Allgemeine Anwendungen	CS 120 -135 SL	T6-Torx 0.6Nm (Max)
			P(5xD)	164	114	96		Für VA, HRSA		
			H(7xD)	196	146	128				
			L(10xD)	244	194	176				
Ø16.5 - Ø16.9	X-165 □	16.0 (48)	T(3xD)	135	85	66	27	Allgemeine Anwendungen	CS 120 -135 SL	T6-Torx 0.6Nm (Max)
			P(5xD)	168	118	99		Für VA, HRSA		
			H(7xD)	201	151	132				
			L(10xD)	251	201	182				
Ø17.0 - Ø17.4	X-170 □	16.0 (48)	T(3xD)	137	87	68	27	Allgemeine Anwendungen	CS 120 -135 SL	T6-Torx 0.6Nm (Max)
			P(5xD)	171	121	102		Für VA, HRSA		
			H(7xD)	205	155	136				
			L(10xD)	256	206	187				
Ø17.5 - Ø17.9	X-175 □	16.0 (48)	T(3xD)	139	89	70	27	Allgemeine Anwendungen	CS 120 -135 SL	T6-Torx 0.6Nm (Max)
			P(5xD)	174	124	105		Für VA, HRSA		
			H(7xD)	209	159	140				
			L(10xD)	262	212	193				

X-Serie - für anspruchsvolle Anwendungen und exotische Materialien

X-Serie - for demanding applications and exotic materials

Bohrbereich Drilling range	Artikel-Nr. Item No.	Schaftausführung Shank Ød	Bohrtiefe (Länge x Bohrereich) Cutting depth (Length Bohrereich)	Dimension Dimension			Flanschdurchmesser (ØFd) Flanged dia.(ØFd)	Bohreinsatz Art.Nr. Insert Item No.to fit in body	Kopfschraube Cap Screw	Torx-Schraubenschlüssel Torx driver
				L1	L2	L3				
Ø18.0 - Ø18.4	X-180 □	20.0 (50)	T(3xD)	142	92	72	27	Allgemeine Anwendungen XD 180, XD 181, XD 182, XD 183, XD 184, XDF 180, XDF 181, XDF 182, XDF 183, XDF 184	CS 180 -195 SL	T8-Torx 1.5Nm (Max)
			P(5xD)	178	128	108				
			H(7xD)	214	164	144				
			L(10xD)	268	218	198				
Ø18.5 - Ø18.9	X-185 □	20.0 (50)	T(3xD)	144	94	74	27	Allgemeine Anwendungen XD 190, XD 191, XD 192, XD 193, XD 194, XDF 190, XDF 191, XDF 192, XDF 193, XDF 194	CS 180 -195 SL	T8-Torx 1.5Nm (Max)
			P(5xD)	181	131	111				
			H(7xD)	218	168	148				
			L(10xD)	274	224	204				
Ø19.0 - Ø19.4	X-190 □	20.0 (50)	T(3xD)	147	97	76	27	Allgemeine Anwendungen XD 190, XD 191, XD 192, XD 193, XD 194, XDF 190, XDF 191, XDF 192, XDF 193, XDF 194	CS 180 -195 SL	T8-Torx 1.5Nm (Max)
			P(5xD)	185	135	114				
			H(7xD)	223	173	152				
			L(10xD)	280	230	209				
Ø19.5 - Ø19.9	X-195 □	20.0 (50)	T(3xD)	149	99	78	27	Allgemeine Anwendungen XD 195, XD 196, XD 197, XD 198, XD 199, XDF 195, XDF 196, XDF 197, XDF 198, XDF 199	CS 180 -195 SL	T8-Torx 1.5Nm (Max)
			P(5xD)	188	138	117				
			H(7xD)	227	177	156				
			L(10xD)	286	236	215				
Ø20.0 - Ø20.4	X-200 □	20.0 (50)	T(3xD)	157	101	80	27	Allgemeine Anwendungen XD 200, XD 201, XD 202, XD 203, XD 204, XDF 200, XDF 201, XDF 202, XDF 203, XDF 204	CS 180 -195 SL	T8-Torx 1.5Nm (Max)
			P(5xD)	197	141	120				
			H(7xD)	237	181	160				
			L(10xD)	297	241	220				
Ø20.5 - Ø20.9	X-205 □	20.0 (50)	T(3xD)	160	104	82	27	Allgemeine Anwendungen XD 205, XD 206, XD 207, XD 208, XD 209, XDF 205, XDF 206, XDF 207, XDF 208, XDF 209	CS 200 -215 SL	T8-Torx 1.5Nm (Max)
			P(5xD)	201	145	123				
			H(7xD)	242	186	164				
			L(10xD)	304	248	226				
Ø21.0 - Ø21.4	X-210 □	20.0 (50)	T(3xD)	162	106	84	27	Allgemeine Anwendungen XD 210, XD 211, XD 212, XD 213, XD 214, XDF 210, XDF 211, XDF 212, XDF 213, XDF 214	CS 200 -215 SL	T8-Torx 1.5Nm (Max)
			P(5xD)	204	148	126				
			H(7xD)	246	190	168				
			L(10xD)	309	253	231				
Ø21.5 - Ø21.9	X-215 □	20.0 (50)	T(3xD)	165	109	86	27	Allgemeine Anwendungen XD 215, XD 216, XD 217, XD 218, XD 219, XDF 215, XDF 216, XDF 217, XDF 218, XDF 219	CS 200 -215 SL	T8-Torx 1.5Nm (Max)
			P(5xD)	208	152	129				
			H(7xD)	251	195	172				
			L(10xD)	316	260	237				
Ø22.0 - Ø22.4	X-2200 □	25.0 (56)	T(3xD)	167	111	88	32	Allgemeine Anwendungen XD 220, XD 221, XD 222, XD 223, XD 224, XDF 220, XDF 221, XDF 222, XDF 223, XDF 224	CS 220 -235 SL	T8-Torx 1.5Nm (Max)
			P(5xD)	211	155	132				
			H(7xD)	255	199	176				
			L(10xD)	321	265	242				
Ø22.5 - Ø22.9	X-225 □	25.0 (56)	T(3xD)	169	113	90	32	Allgemeine Anwendungen XD 225, XD 226, XD 227, XD 228, XD 229, XDF 225, XDF 226, XDF 227, XDF 228, XDF 229	CS 220 -235 SL	T8-Torx 1.5Nm (Max)
			P(5xD)	214	158	135				
			H(7xD)	259	203	180				
			L(10xD)	327	271	248				
Ø23.0 - Ø23.4	X-230 □	25.0 (56)	T(3xD)	172	116	92	32	Allgemeine Anwendungen XD 230, XD 231, XD 232, XD 233, XD 234, XDF 230, XDF 231, XDF 232, XDF 233, XDF 234	CS 220 -235 SL	T8-Torx 1.5Nm (Max)
			P(5xD)	218	162	138				
			H(7xD)	264	208	184				
			L(10xD)	333	277	253				
Ø23.5 - Ø23.9	X-235 □	25.0 (56)	T(3xD)	174	118	94	32	Allgemeine Anwendungen XD 235, XD 236, XD 237, XD 238, XD 239, XDF 235, XDF 236, XDF 237, XDF 238, XDF 239	CS 220 -235 SL	T8-Torx 1.5Nm (Max)
			P(5xD)	221	165	141				
			H(7xD)	268	212	188				
			L(10xD)	339	283	259				

X-Serie - für anspruchsvolle Anwendungen und exotische Materialien

X-Serie - for demanding applications and exotic materials

Bohrbereich Drilling range	Artikel-Nr. Item No.	Schaftausführung Shank Ød	Bohrtiefe (Länge x Bohrereich) Cutting depth (Length Bohrereich)	Dimension Dimension			Flanschdurchmesser (ØFd) Flanged dia.(ØFd)	Bohreinsatz Art.Nr. Insert Item No.to fit in body	Kopfschraube Cap Screw	Torx-Schraubenschlüssel Torx driver
				L1	L2	L3				
Ø24.0 - Ø24.4	X-240 □	32.0 (60)	T(3xD)	181	121	96	39	Allgemeine Anwendungen XD 240, XD 241, XD 242, XD 243, XD 244, XDF 240, XDF 241, XDF 242, XDF 243, XDF 244	CS 240 -255 SL	T15-Torx 3.5Nm (Max)
			P(5xD)	229	169	144				
			H(7xD)	277	217	192				
			L(10xD)	349	289	264				
Ø24.5 - Ø24.9	X-245 □	32.0 (60)	T(3xD)	183	123	98	39	Allgemeine Anwendungen XD 245, XD 246, XD 247, XD 248, XD 249, XDF 245, XDF 246, XDF 247, XDF 248, XDF 249	CS 240 -255 SL	T15-Torx 3.5Nm (Max)
			P(5xD)	232	172	147				
			H(7xD)	281	221	196				
			L(10xD)	355	295	270				
Ø25.0 - Ø25.4	X-250 □	32.0 (60)	T(3xD)	185	125	100	39	Allgemeine Anwendungen XD 250, XD 251, XD 252, XD 253, XD 254, XDF 250, XDF 251, XDF 252, XDF 253, XDF 254	CS 240 -255 SL	T15-Torx 3.5Nm (Max)
			P(5xD)	235	175	150				
			H(7xD)	285	225	200				
			L(10xD)	360	300	275				
Ø25.5 - Ø25.9	X-255 □	32.0 (60)	T(3xD)	188	128	102	39	Allgemeine Anwendungen XD 255, XD 256, XD 257, XD 258, XD 259, XDF 255, XDF 256, XDF 257, XDF 258, XDF 259	CS 240 -255 SL	T15-Torx 3.5Nm (Max)
			P(5xD)	239	179	153				
			H(7xD)	290	230	204				
			L(10xD)	367	307	281				
Ø26.0 - Ø26.4	X-260 □	32.0 (60)	T(3xD)	190	130	104	39	Allgemeine Anwendungen XD 260, XD 261, XD 262, XD 263, XD 264, XDF 260, XDF 261, XDF 262, XDF 263, XDF 264	CS 260 -275 SL	T15-Torx 3.5Nm (Max)
			P(5xD)	242	182	156				
			H(7xD)	294	234	208				
			L(10xD)	372	312	286				
Ø26.5 - Ø26.9	X-265 □	32.0 (60)	T(3xD)	193	133	106	39	Allgemeine Anwendungen XD 265, XD 266, XD 267, XD 268, XD 269, XDF 265, XDF 266, XDF 267, XDF 268, XDF 269	CS 260 -275 SL	T15-Torx 3.5Nm (Max)
			P(5xD)	246	186	159				
			H(7xD)	299	239	212				
			L(10xD)	379	319	292				
Ø27.0 - Ø27.4	X-270 □	32.0 (60)	T(3xD)	195	135	108	39	Allgemeine Anwendungen XD 270, XD 271, XD 272, XD 273, XD 274, XDF 270, XDF 271, XDF 272, XDF 273, XDF 274	CS 260 -275 SL	T15-Torx 3.5Nm (Max)
			P(5xD)	249	189	162				
			H(7xD)	303	243	216				
			L(10xD)	384	324	297				
Ø27.5 - Ø27.9	X-275 □	32.0 (60)	T(3xD)	197	137	110	39	Allgemeine Anwendungen XD 275, XD 276, XD 277, XD 278, XD 279, XDF 275, XDF 276, XDF 277, XDF 278, XDF 279	CS 260 -275 SL	T15-Torx 3.5Nm (Max)
			P(5xD)	252	192	165				
			H(7xD)	307	247	220				
			L(10xD)	390	330	303				
Ø28.0 - Ø28.4	X-280 □	32.0 (60)	T(3xD)	200	140	112	39	Allgemeine Anwendungen XD 280, XD 281, XD 282, XD 283, XD 284, XDF 280, XDF 281, XDF 282, XDF 283, XDF 284	CS 280 -295 SL	T15-Torx 3.5Nm (Max)
			P(5xD)	256	196	168				
			H(7xD)	312	252	224				
			L(10xD)	396	336	308				
Ø28.5 - Ø28.9	X-285 □	32.0 (60)	T(3xD)	202	142	114	39	Allgemeine Anwendungen XD 285, XD 286, XD 287, XD 288, XD 289, XDF 285, XDF 286, XDF 287, XDF 288, XDF 289	CS 280 -295 SL	T15-Torx 3.5Nm (Max)
			P(5xD)	259	199	171				
			H(7xD)	316	256	228				
			L(10xD)	402	342	314				
Ø29.0 - Ø29.4	X-290 □	32.0 (60)	T(3xD)	205	145	116	39	Allgemeine Anwendungen XD 290, XD 291, XD 292, XD 293, XD 294, XDF 290, XDF 291, XDF 292, XDF 293, XDF 294	CS 280 -295 SL	T15-Torx 3.5Nm (Max)
			P(5xD)	263	203	174				
			H(7xD)	321	261	232				
			L(10xD)	408	348	319				
Ø29.5 - Ø29.9	X-295 □	32.0 (60)	T(3xD)	207	147	118	39	Allgemeine Anwendungen XD 295, XD 296, XD 297, XD 298, XD 299, XDF 295, XDF 296, XDF 297, XDF 298, XDF 299	CS 280 -295 SL	T15-Torx 3.5Nm (Max)
			P(5xD)	266	206	177				
			H(7xD)	325	265	236				
			L(10xD)	414	354	325				

X-Serie - für anspruchsvolle Anwendungen und exotische Materialien

X-Serie - for demanding applications and exotic materials

Bohrbereich Drilling range	Artikel-Nr. Item No.	Schaftausführung Shank Ød	Bohrtiefe (Länge x Bohrereich) Cutting depth (Length Bohrereich)	Dimension Dimension			Flanschdurchmesser (ØFd) Flanged dia.(ØFd)	Bohreinsatz Art.Nr. Insert Item No.to fit in body	Kopfschraube Cap Screw	Torx-Schraubenschlüssel Torx driver
				L1	L2	L3				
Ø30.0 - Ø30.4	X-300 □	32.0 (60)	T(3xD)	209	149	120	39	Allgemeine Anwendungen XD 300, XD 301, XD 302, XD 303, XD 304, XDF 300, XDF 301, XDF 302, XDF 303, XDF 304	CS 300 -315 SL	
			P(5xD)	269	209	180				
			H(7xD)	329	269	240				
			L(10xD)	419	359	330				
Ø30.5 - Ø30.9	X-305 □	32.0 (60)	T(3xD)	212	152	122	39	Allgemeine Anwendungen XD 305, XD 306, XD 307, XD 308, XD 309, XDF 305, XDF 306, XDF 307, XDF 308, XDF 309	CS 300 -315 SL	
			P(5xD)	273	213	183				
			H(7xD)	334	274	244				
			L(10xD)	426	366	336				
Ø31.0 - Ø31.4	X-310 □	32.0 (60)	T(3xD)	214	154	124	39	Allgemeine Anwendungen XD 310, XD 311, XD 312, XD 313, XD 314, XDF 310, XDF 311, XDF 312, XDF 313, XDF 314	CS 300 -315 SL	
			P(5xD)	276	216	186				
			H(7xD)	338	278	248				
			L(10xD)	431	371	341				
Ø31.5 - Ø31.9	X-315 □	32.0 (60)	T(3xD)	217	157	126	39	Allgemeine Anwendungen XD 315, XD 316, XD 317, XD 318, XD 319, XDF 315, XDF 316, XDF 317, XDF 318, XDF 319	CS 300 -315 SL	
			P(5xD)	280	220	189				
			H(7xD)	343	283	252				
			L(10xD)	438	378	347				
Ø32.0 - Ø32.4	X-320 □	32.0 (60)	T(3xD)	219	159	128	39	Allgemeine Anwendungen XD 320, XD 321, XD 322, XD 323, XD 324, XDF 320, XDF 321, XDF 322, XDF 323, XDF 324	CS 300 -315 SL	
			P(5xD)	283	223	192				
			H(7xD)	347	287	256				
			L(10xD)	443	383	352				
Ø32.5 - Ø32.9	X-325 □	32.0 (60)	T(3xD)	221	161	130	39	Allgemeine Anwendungen XD 325, XD 326, XD 327, XD 328, XD 329, XDF 325, XDF 326, XDF 327, XDF 328, XDF 329	CS 300 -315 SL	
			P(5xD)	286	226	195				
			H(7xD)	351	291	260				
			L(10xD)	449	389	358				
Ø33.0 - Ø33.4	X-330 □	32.0 (60)	T(3xD)	224	164	132	39	Allgemeine Anwendungen XD 330, XD 331, XD 332, XD 333, XD 334, XDF 330, XDF 331, XDF 332, XDF 333, XDF 334	CS 300 -315 SL	
			P(5xD)	290	230	198				
			H(7xD)	356	296	264				
			L(10xD)	455	395	363				
Ø33.5 - Ø33.9	X-335 □	32.0 (60)	T(3xD)	226	166	134	39	Allgemeine Anwendungen XD 335, XD 336, XD 337, XD 338, XD 339, XDF 335, XDF 336, XDF 337, XDF 338, XDF 339	CS 300 -315 SL	
			P(5xD)	293	233	201				
			H(7xD)	360	300	268				
			L(10xD)	461	401	369				
Ø34.0 - Ø34.4	X-340 □	32.0 (60)	T(3xD)	239	169	136	39	Allgemeine Anwendungen XD 340, XD 341, XD 342, XD 343, XD 344, XDF 340, XDF 341, XDF 342, XDF 343, XDF 344	CS 300 -315 SL	
			P(5xD)	307	237	204				
			H(7xD)	375	305	272				
			L(10xD)	477	407	374				
Ø34.5 - Ø34.9	X-345 □	32.0 (60)	T(3xD)	241	171	138	39	Allgemeine Anwendungen XD 345, XD 346, XD 347, XD 348, XD 349, XDF 345, XDF 346, XDF 347, XDF 348, XDF 349	CS 300 -315 SL	
			P(5xD)	310	240	207				
			H(7xD)	379	309	276				
			L(10xD)	483	413	380				
Ø35.0 - Ø35.4	X-350 □	32.0 (60)	T(3xD)	243	173	140	39	Allgemeine Anwendungen XD 350, XD 351, XD 352, XD 353, XD 354, XDF 350, XDF 351, XDF 352, XDF 353, XDF 354	CS 300 -315 SL	
			P(5xD)	313	243	210				
			H(7xD)	383	313	280				
			L(10xD)	488	418	385				
Ø35.5 - Ø35.9	X-355 □	32.0 (60)	T(3xD)	246	176	142	39	Allgemeine Anwendungen XD 355, XD 356, XD 357, XD 358, XD 359, XDF 355, XDF 356, XDF 357, XDF 358, XDF 359	CS 300 -315 SL	
			P(5xD)	317	247	213				
			H(7xD)	388	318	284				
			L(10xD)	495	425	391				

X-Serie - für anspruchsvolle Anwendungen und exotische Materialien

X-Serie - for demanding applications and exotic materials

Bohrbereich Drilling range	Item-Nr. Item No.	Schaftausführung Shank Ød	Bohrtiefe (Länge x Bohrereich) Cutting depth (Length Bohrereich)	Dimension Dimension			Flanschdurchmesser (ØFd) Flanged dia.(ØFd)	Bohreinsatz Art.Nr. Insert Item No.to fit in body	Kopfschraube Cap Screw	Torx-Schraubenschlüssel Torx driver
				L1	L2	L3				
Ø36.0 - Ø36.4	X-360 □	40.0 (70)	T(3xD)	248	178	144	55	Allgemeine Anwendungen XD 360, XD 361, XD 362, XD 363, XD 364, XDF 360, XDF 361, XDF 362, XDF 363, XDF 364	CS 360 -395 SL	
			P(5xD)	320	250	216				
			H(7xD)	392	322	288				
			L(10xD)	500	430	396				
Ø36.5 - Ø36.9	X-365 □	40.0 (70)	T(3xD)	251	181	146	55	Allgemeine Anwendungen XD 365, XD 366, XD 367, XD 368, XD 369, XDF 365, XDF 366, XDF 367, XDF 368, XDF 369	CS 360 -395 SL	
			P(5xD)	324	254	219				
			H(7xD)	397	327	292				
			L(10xD)	507	437	402				
Ø37.0 - Ø37.4	X-370 □	40.0 (70)	T(3xD)	253	183	148	55	Allgemeine Anwendungen XD 370, XD 371, XD 372, XD 373, XD 374, XDF 370, XDF 371, XDF 372, XDF 373, XDF 374	CS 360 -395 SL	
			P(5xD)	327	257	222				
			H(7xD)	401	331	296				
			L(10xD)	512	442	407				
Ø37.5 - Ø37.9	X-375 □	40.0 (70)	T(3xD)	255	185	150	55	Allgemeine Anwendungen XD 375, XD 376, XD 377, XD 378, XD 379, XDF 375, XDF 376, XDF 377, XDF 378, XDF 379	CS 360 -395 SL	
			P(5xD)	330	260	225				
			H(7xD)	405	335	300				
			L(10xD)	518	448	413				
Ø38.0 - Ø38.4	X-380 □	40.0 (70)	T(3xD)	258	188	152	55	Allgemeine Anwendungen XD 380, XD 381, XD 382, XD 383, XD 384, XDF 380, XDF 381, XDF 382, XDF 383, XDF 384	CS 360 -395 SL	
			P(5xD)	334	264	228				
			H(7xD)	410	340	304				
			L(10xD)	524	454	418				
Ø38.5 - Ø38.9	X-385 □	40.0 (70)	T(3xD)	260	196	154	55	Allgemeine Anwendungen XD 385, XD 386, XD 387, XD 388, XD 389, XDF 385, XDF 386, XDF 387, XDF 388, XDF 389	CS 360 -395 SL	
			P(5xD)	337	267	231				
			H(7xD)	414	344	308				
			L(10xD)	530	460	424				
Ø39.0 - Ø39.4	X-390 □	40.0 (70)	T(3xD)	263	193	156	55	Allgemeine Anwendungen XD 390, XD 391, XD 392, XD 393, XD 394, XDF 390, XDF 391, XDF 392, XDF 393, XDF 394	CS 360 -395 SL	
			P(5xD)	341	271	234				
			H(7xD)	419	349	312				
			L(10xD)	536	466	429				
Ø39.5 - Ø39.9	X-395 □	40.0 (70)	T(3xD)	265	195	158	55	Allgemeine Anwendungen XD 395, XD 396, XD 397, XD 398, XD 399, XDF 395, XDF 396, XDF 397, XDF 398, XDF 399	CS 360 -395 SL	
			P(5xD)	344	274	237				
			H(7xD)	423	353	316				
			L(10xD)	542	472	435				
Ø40.0 - Ø40.4	X-400 □	40.0 (70)	T(3xD)	267	197	160	55	Allgemeine Anwendungen XD 400, XD 401, XD 402, XD 403, XD 404, XDF 400, XDF 401, XDF 402, XDF 403, XDF 404	CS 360 -395 SL	
			P(5xD)	347	277	240				
			H(7xD)	427	357	320				
			L(10xD)	547	477	440				
Ø40.5 - Ø40.9	X-405 □	40.0 (70)	T(3xD)	270	200	162	55	Allgemeine Anwendungen XD 405, XD 406, XD 407, XD 408, XD 409, XDF 405, XDF 406, XDF 407, XDF 408, XDF 409	CS 360 -395 SL	
			P(5xD)	351	281	243				
			H(7xD)	432	362	324				
			L(10xD)	554	484	446				
Ø41.0 - Ø41.4	X-410 □	40.0 (70)	T(3xD)	272	202	164	55	Allgemeine Anwendungen XD 410, XD 411, XD 412, XD 413, XD 414, XDF 410, XDF 411, XDF 412, XDF 413, XDF 414	CS 360 -395 SL	
			P(5xD)	354	284	246				
			H(7xD)	436	366	328				
			L(10xD)	559	489	451				
Ø41.5 - Ø41.9	X-415 □	40.0 (70)	T(3xD)	275	205	166	55	Allgemeine Anwendungen XD 415, XD 416, XD 417, XD 418, XD 419, XDF 415, XDF 416, XDF 417, XDF 418, XDF 419	CS 360 -395 SL	
			P(5xD)	358	288	249				
			H(7xD)	441	371	332				
			L(10xD)	566	496	457				

X-Serie - für anspruchsvolle Anwendungen und exotische Materialien

X-Serie - for demanding applications and exotic materials

Bohrbereich Drilling range	Artikel-Nr. Item No.	Schaftausführung Shank Ød	Bohrtiefe (Länge x Bohrereich) Cutting depth (Length Bohrereich)	Dimension Dimension			Flanschdurchmesser (ØFd) Flanged dia.(ØFd)	Bohreinsatz Art.Nr. Insert Item No.to fit in body	Kopfschraube Cap Screw	Torx-Schraubenschlüssel Torx driver
				L1	L2	L3				
Ø42.0 - Ø42.4	X-420 □		T(3xD)	277	207	168	Allgemeine Anwendungen	XD 420, XD 421, XD 422, XD 423, XD 424, XDF 420, XDF 421, XDF 422, XDF 423, XDF 424		
			P(5xD)	361	291	252				
			H(7xD)	445	375	336				
			L(10xD)	571	501	462				
Ø42.5 - Ø42.9	X-425 □		T(3xD)	279	209	170	Allgemeine Anwendungen	XD 425, XD 426, XD 427, XD 428, XD 429, XDF 425, XDF 426, XDF 427, XDF 428, XDF 429		
			P(5xD)	364	294	255				
			H(7xD)	449	379	340				
			L(10xD)	577	507	468				
Ø43.0 - Ø43.4	X-430 □		T(3xD)	282	212	172	Allgemeine Anwendungen	XD 430, XD 431, XD 432, XD 433, XD 434, XDF 430, XDF 431, XDF 432, XDF 433, XDF 434		
			P(5xD)	368	298	258				
			H(7xD)	454	384	344				
			L(10xD)	583	513	473				
Ø43.5 - Ø43.9	X-435 □		T(3xD)	284	214	174	Allgemeine Anwendungen	XD 435, XD 436, XD 437, XD 438, XD 439, XDF 435, XDF 436, XDF 437, XDF 438, XDF 439		
			P(5xD)	371	301	261				
			H(7xD)	458	388	348				
			L(10xD)	589	519	479				
Ø44.0 - Ø44.4	X-440 □		T(3xD)	287	217	176	Allgemeine Anwendungen	XD 440, XD 441, XD 442, XD 443, XD 444, XDF 440, XDF 441, XDF 442, XDF 443, XDF 444		
			P(5xD)	375	305	264				
			H(7xD)	463	393	352				
			L(10xD)	595	525	484				
Ø44.5 - Ø44.9	X-445 □		T(3xD)	289	219	178	Allgemeine Anwendungen	XD 445, XD 446, XD 447, XD 448, XD 449, XDF 445, XDF 446, XDF 447, XDF 448, XDF 449		
			P(5xD)	378	308	267				
			H(7xD)	467	397	356				
			L(10xD)	601	531	490				
Ø45.0 - Ø45.4	X-450 □		T(3xD)	291	221	180	Allgemeine Anwendungen	XD 450, XD 451, XD 452, XD 453, XD 454, XDF 450, XDF 451, XDF 452, XDF 453, XDF 454		
			P(5xD)	381	311	270				
			H(7xD)	471	401	360				
			L(10xD)	606	536	495				
Ø45.5 - Ø45.9	X-455 □		T(3xD)	294	224	182	Allgemeine Anwendungen	XD 455, XD 456, XD 457, XD 458, XD 459, XDF 455, XDF 456, XDF 457, XDF 458, XDF 459		
			P(5xD)	385	315	273				
			H(7xD)	476	406	364				
			L(10xD)	613	543	501				
Ø46.0 - Ø46.4	X-460 □		T(3xD)	296	226	184	Allgemeine Anwendungen	XD 460, XD 461, XD 462, XD 463, XD 464, XDF 460, XDF 461, XDF 462, XDF 463, XDF 464		
			P(5xD)	388	318	276				
			H(7xD)	480	410	368				
			L(10xD)	618	548	506				
Ø46.5 - Ø46.9	X-465 □		T(3xD)	299	229	186	Allgemeine Anwendungen	XD 465, XD 466, XD 467, XD 468, XD 469, XDF 465, XDF 466, XDF 467, XDF 468, XDF 469		
			P(5xD)	392	322	279				
			H(7xD)	485	415	372				
			L(10xD)	625	555	512				
Ø47.0 - Ø47.4	X-470 □		T(3xD)	301	231	188	Allgemeine Anwendungen	XD 470, XD 471, XD 472, XD 473, XD 474, XDF 470, XDF 471, XDF 472, XDF 473, XDF 474		
			P(5xD)	395	325	282				
			H(7xD)	489	419	376				
			L(10xD)	630	560	517				
Ø47.5 - Ø47.9	X-475 □		T(3xD)	303	233	190	Allgemeine Anwendungen	XD 475, XD 476, XD 477, XD 478, XD 479, XDF 475, XDF 476, XDF 477, XDF 478, XDF 479		
			P(5xD)	398	328	285				
			H(7xD)	493	423	380				
			L(10xD)	636	566	523				

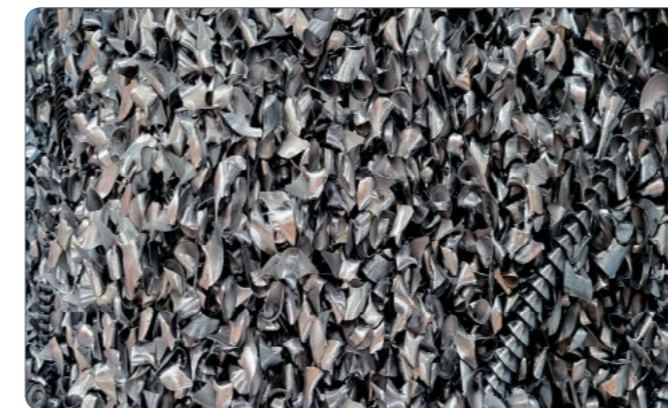
X-Serie - für anspruchsvolle Anwendungen und exotische Materialien

X-Serie - for demanding applications and exotic materials

Bohrbereich Drilling range	Artikel-Nr. Item No.	Schaftausführung Shank Ød	Bohrtiefe (Länge x Bohrereich) Cutting depth (Length Bohrereich)	Dimension Dimension			Flanschdurchmesser (ØFd) Flanged dia.(ØFd)	Bohreinsatz Art.Nr. Insert Item No.to fit in body	Kopfschraube Cap Screw	Torx-Schraubenschlüssel Torx driver
				L1	L2	L3				
Ø48.0 - Ø48.4	X-480 □		T(3xD)	306	236	192	Allgemeine Anwendungen	XD 480, XD 481, XD 482, XD 483, XD 484, XDF 480, XDF 481, XDF 482, XDF 483, XDF 484		
			P(5xD)	402	332	288				
			H(7xD)	498	428	384				
			L(10xD)	642	572	528				
Ø48.5 - Ø48.9	X-485 □		T(3xD)	308	238	194	Allgemeine Anwendungen	XD 485, XD 486, XD 487, XD 488, XD 489, XDF 485, XDF 486, XDF 487, XDF 488, XDF 489		
			P(5xD)	405	335	291				
			H(7xD)	502	432	388				
			L(10xD)	648	578	534				
Ø49.0 - Ø49.4	X-490 □		T(3xD)	311	241	196	Allgemeine Anwendungen	XD 490, XD 491, XD 492, XD 493, XD 494, XDF 490, XDF 491, XDF 492, XDF 493, XDF 494		
			P(5xD)	409	339	294				
			H(7xD)	507	437	392				
			L(10xD)	654	584	539				
Ø49.5 - Ø49.9	X-495 □		T(3xD)	313	243	198	Allgemeine Anwendungen	XD 495, XD 496, XD 497, XD 498, XD 499, XDF 495, XDF 496, XDF 497, XDF 498, XDF 499		
			P(5xD)	412	342	297				
			H(7xD)	511	441	396				
			L(10xD)	660	590	545				
Ø50.0 - Ø50.4	X-500 □		T(3xD)	315	245	200	Allgemeine Anwendungen	XD 500, XD 501, XD 502, XD 503, XD 504, XDF 500, XDF 501, XDF 502, XDF 503, XDF 504		
			P(5xD)	415	345	300				
			H(7xD)	515	445	400				
			L(10xD)	665	595	550				

Testspäne

Tested Chip's Form



SM490B (A537CL1, StE355)



SUS316 (316, X5CrNiMo17-12-2)

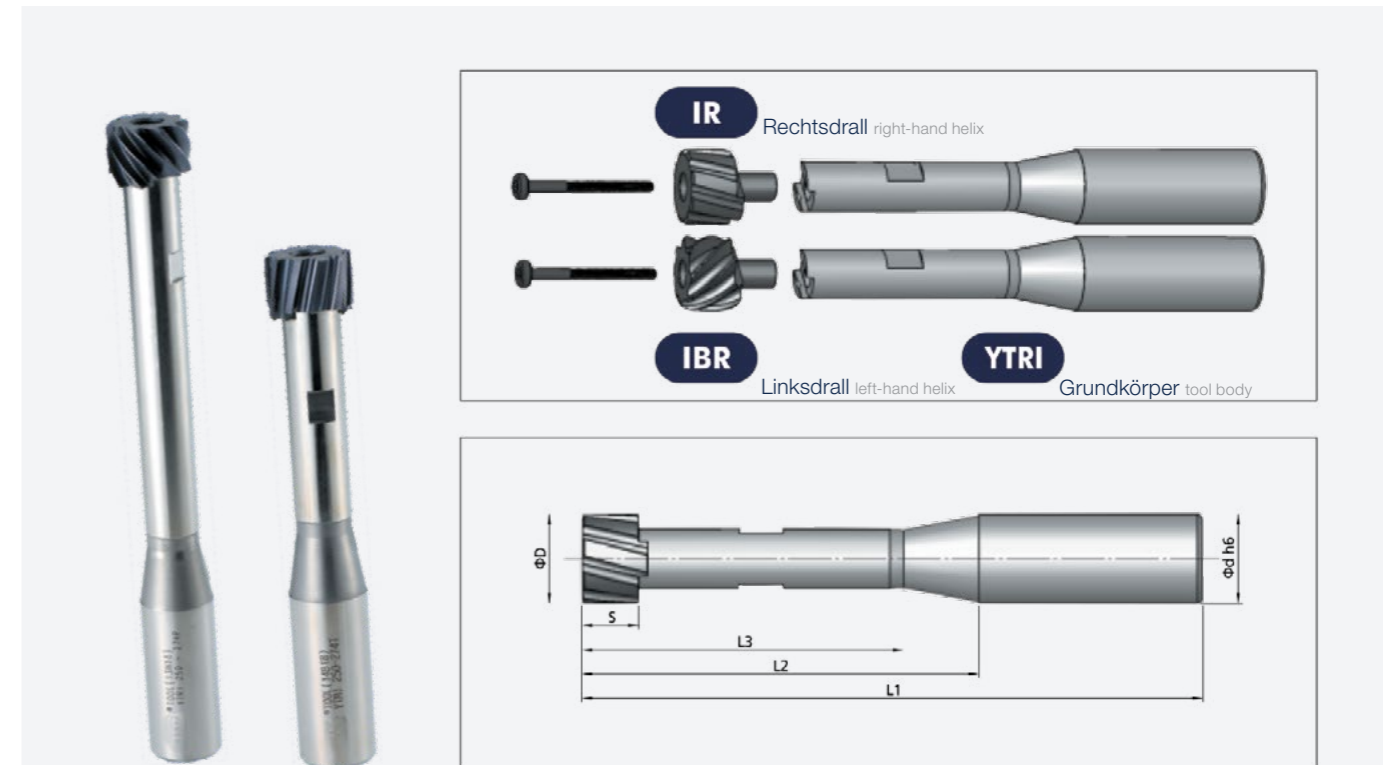


- LÄNGERE HALTBARKEIT DES BOHRERKÖRPERS
- LONGER SERVICE LIFE OF THE DRILL BODY
- GRÖßERE FLEXIBILITÄT MIT SONDERLÖSUNGEN
- GREATER FLEXIBILITY WITH SPECIAL SOLUTIONS
- KOSTENEFFEKTIV DURCH SCHNEIDENWECHSEL
- COST-EFFECTIVE THROUGH INSERT CHANGE



YTRI - Auswechselbare Hartmetall-Reibköpfe

YTRI - Indexable Reamer



- Wirtschaftliches Werkzeug mit Wechselkopf, einfaches Handling Economical tool with interchangeable head, easy handling
- Einfaches und schnelles Spannen durch zentrische Zylinderschraube Locking by center head cap-screw
- IR: Rechtsdrall Spiralreibeinsatz IR : Right helix spiral multi-flutes
- IBR: Linksdrall Spiralreibeinsatz IBR : Left helix broach reamer insert
- Schnelles und präzises Reiben mit H7-Toleranz Speedy reaming available with H7-tolerance

Bohrkörper Art.Nr. Body Item No.	Schaft- ausführung Ø Shank Ø	S S	T (3xD) T(3xD)			P(5xD) P(5xD)			Anwendbare IR, IBR Applicable IR, IBR	Kopf- schraube M Cap Screw M	Anzahl der Schnei- den No. of flute
			L1	L2	L3	L1	L2	L3			
YTRI 150-174 □	20	7.4	114	64	53	148	98	87	IR 150-174, IBR 150-174	M2.5x30	6
YTRI 175-199 □		9.4	125	75	61	165	115	101	IR 175-199, IBR 175-199	M2.5x30	
YTRI 200-224 □		9.3	136	86	69	180	130	113	IR 200-224, IBR 200-224	M3x35	
YTRI 225-249 □	25	10.6	153	97	75	203	147	125	IR 225-249, IBR 225-249	M4x40	8
YTRI 250-274 □		10.4	158	102	82	213	157	137	IR 250-274, IBR 250-274	M5x45	
YTRI 275-299 □	32	12.2	177	117	90	237	177	150	IR 275-299, IBR 275-299	M5x45	10
YTRI 300-324 □		13.1	183	123	96	248	188	161	IR 300-324, IBR 300-324	M6x40	
YTRI 325-349 □		13.8	190	130	103	260	200	173	IR 325-349, IBR 325-349	M6x45	
YTRI 350-374 □	40	14.6	215	145	110	290	220	185	IR 350-374, IBR 350-374	M8x50	12
YTRI 375-400 □		15.4	222	152	117	302	232	197	IR 375-400, IBR 375-400	M8x50	

Gewünschte Schnitttiefe □ z. B. T, P.

Please make required cutting depth in the □ like T, P.

YSR - VHM-Hochleistungsreibahle mit H7 Toleranz

YSR - Solid carbide high-performance reamer with H7 tolerance

YSR(L)

YSBR VHM-Reibahle Sonderanfertigung
Solid Broach Reamer(Order-made)

- 15° Rechtsdrall der Spirale, 20° Fase (Standard), für Hochgeschwindigkeitsreiben
15° right helix spiral, 20° chamfer(standard) for high speed reaming
- Standardtoleranz H7, Sonderanschliff und -toleranz oder Eckenradius auf Anfrage erhältlich
Standard H7 tolerance, special point & tolerance or corner radius available on demand
- Schnelles Reiben $V_c = 40-80 \text{ m/min.}$, $f = 0,1 \text{ mm/Umdrehung pro Schneide}$, TiN- und TiAlN-beschichtet
Speedy reaming $V_c = 40-80 \text{ m/min.}$, $f = 0.1 \text{ mm/rev.per flute}$, TiN & TiAlN coated.

YSR VHM-Hochleistungsreibahle „Speedy“ YSR Solid Carbide "Speedy" Reamer					
Art.Nr. Item No.	D D	d d	L1 L1	L2 L2	Anzahl der Schneiden No. of flute
YSR 030 - 035	3.0 - 3.5	4.0	54	19	3
YSR 036 - 041	3.6 - 4.1			24	
YSR 042 - 051	4.2 - 5.1	5.0	61	31	
YSR 052 - 061	5.2 - 6.1	6.0	65	35	
YSR 062 - 071	6.2 - 7.1	7.0	73	41	
YSR 072 - 081	7.2 - 8.1	8.0	78	45	
YSR 082 - 091	8.2 - 9.1	9.0	82	48	
YSR 092 - 101	9.2 - 10.1	10.0	87	51	
YSR 102 - 111	10.2 - 11.1	11.0	93	53	
YSR 112 - 121	11.2 - 12.1	12.0	100	60	
YSR 122 - 131	12.2 - 13.1	13.0	105	62	4
YSR 132 - 141	13.2 - 14.1	14.0			
YSR 142 - 151	14.2 - 15.1	15.0	108	64	
YSR 152 - 161	15.2 - 16.1	16.0	112	66	
YSR 162 - 171	16.2 - 17.1	17.0	116	68	
YSR 172 - 181	17.2 - 18.1	18.0	120	71	
YSR 182 - 191	18.2 - 19.1	19.0	124	73	
YSR 192 - 200	19.2 - 20.0	20.0	128	77	

YSRL VHM-Hochleistungsreibahle, lange Serie YSRL Solid Carbide Speedy Reamer, Long series					
Art.Nr. Item No.	D D	d d	L1 L1	L2 L2	Anzahl der Schneiden No. of flute
YSRL 030 - 035	3.0 - 3.5	4.0	79	44	3
YSRL 036 - 041	3.6 - 4.1				
YSRL 042 - 051	4.2 - 5.1	5.0	82	49	
YSRL 052 - 061	5.2 - 6.1	6.0	84	52	
YSRL 062 - 071	6.2 - 7.1	7.0	89	57	
YSRL 072 - 081	7.2 - 8.1	8.0	96	62	
YSRL 082 - 091	8.2 - 9.1	9.0	103	66	
YSRL 092 - 101	9.2 - 10.1	10.0	108	71	
YSRL 102 - 111	10.2 - 11.1	11.0	118	78	
YSRL 112 - 121	11.2 - 12.1	12.0	135	94	
YSRL 122 - 131	12.2 - 13.1	13.0	145	94	
YSRL 132 - 141	13.2 - 14.1	14.0	150	97	
YSRL 142 - 151	14.2 - 15.1	15.0	157	109	4
YSRL 152 - 161	15.2 - 16.1	16.0			
YSRL 162 - 171	16.2 - 17.1	17.0			
YSRL 172 - 181	17.2 - 18.1	18.0			
YSRL 182 - 191	18.2 - 19.1	19.0			
YSRL 192 - 200	19.2 - 20.0	20.0			

Empfohlene Vorbohrgröße: -0,2 mm Recommended pre-drilling size -0.2mm.

YSR - VHM-Hochleistungsreibahle mit H7 Toleranz

YSR - Solid carbide high-performance reamer with H7 tolerance

Anwendungsbeispiel YSR - Herausforderung

Machining case of YSR - Challenge

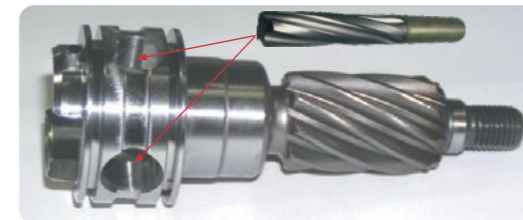
- Branche: Automotive Company: Automotive
- Werkzeug: VHM-Hochleistungsreibahle YSR120-R0.6 Applied Carbide Speedy Reamer : YSR120-R0.6
- Maschinentyp: Bearbeitungszentrum, Vertikalspindel Kind of machine: Machining center, Vertical spindle
- Werkstück: SCM420H, EPS-Ritzelwelle, HRC27-31 Work-piece: SCM420H, EPS Pinion shaft, HRC27-31
- Schnittgeschwindigkeit: 1200rpm, $V_c = 45 \text{ m/min.}$, $f = 0.2 \text{ mm/rev.}$ Cutting speed: 1200rpm, $V_c = 45 \text{ m/min.}$, $f = 0.2 \text{ mm/rev.}$
- Vorbohren: $D=11,8 \text{ mm}$ Pre-drilling: $D=11.8 \text{ mm}$
- Kühlmittel: Externes lösliches Öl Coolant: External soluble oil

Anwendungsbeispiel YSR - Ergebnis

Machining case of YSR - Result

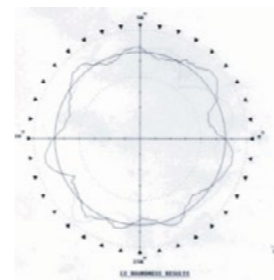
- Rundheit: $O=1,80 \mu\text{m}$ Roundness: $O=1,80 \mu\text{m}$
- Rauheit: $R_a = 0,14 \mu\text{m}$ Roughness: $R_a = 0,14 \mu\text{m}$
- Zykluszeit um 650 % erhöht Cycle time 650% increase

Aufgebohrte Werkstück - EPS-Ritzelwelle Reamed work-piece - EPS Pinion shaft.



Rundheitsmaße

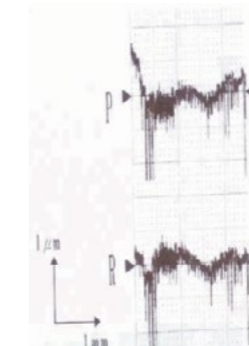
Roundness measures



- Maße: Außen-Ø $O=1,80 \mu\text{m}$
Measuring : External $O=1,80 \mu\text{m}$

Rauheit bei Bohrungseintritt

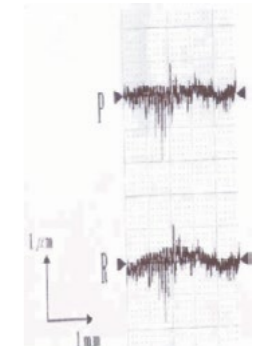
Roughness for hole mouth



- P: Polarität Polarity
- R: Rundmaß Round measure
- $R_a = 0,14 \mu\text{m}$
- $R_{max} = 3,18 \mu\text{m}$
- $R_z = 1,58 \mu\text{m}$

Rauheit am Bohrungsgrund

Roughness for hole end



- P: Polarität Polarity
- R: Rundmaß Round measure
- $R_a = 0,10 \mu\text{m}$
- $R_{max} = 1,46 \mu\text{m}$
- $R_z = 0,94 \mu\text{m}$



HFC®TURN



Hydrodehn
für Langdreher
HYDRAULIC EXPANSION FOR SWISS-TYPE LATHES

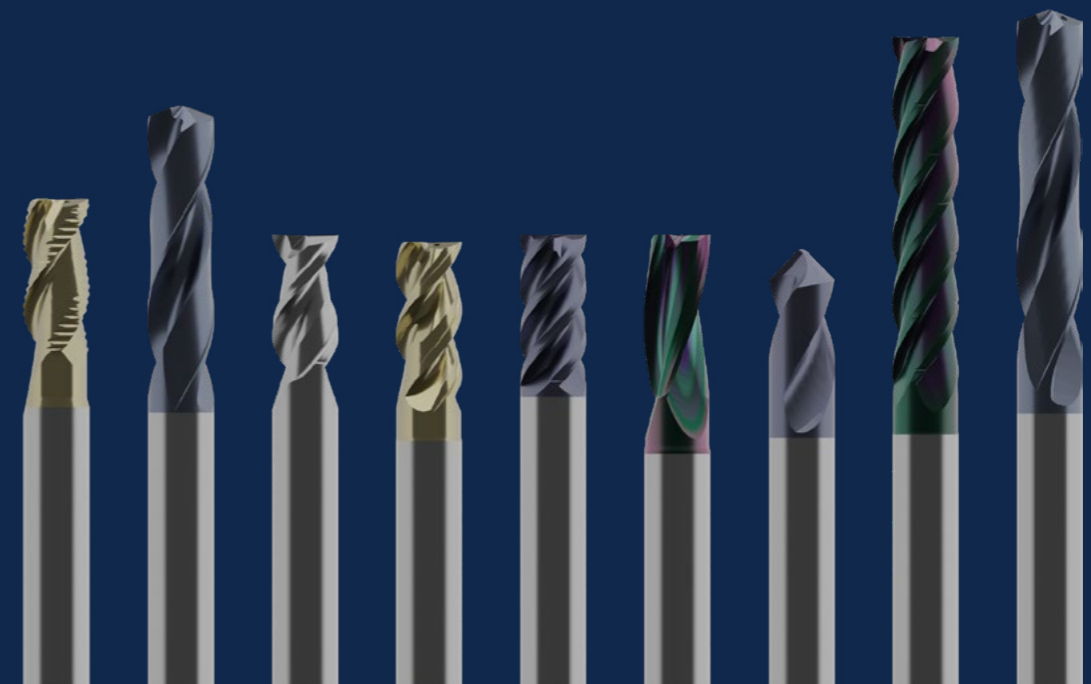


Werkzeugwechsel –
einfach, schnell und sicher
TOOL CHANGES - SIMPLE, QUICK AND SAFE

Erfahre mehr über
das hydraulische
Schnellwechselsystem
HFC®turn:
Learn more about the
HFC®turn Hydraulic
Quick Change System:



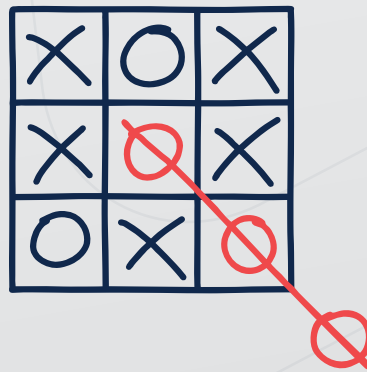
VHM FRÄSER & BOHRER SOLID CARBIDE MILLS & DRILLS



Erfahre mehr über
unsere VHM Fräser
und Bohrer:
Learn more about our
Solid Carbide mills & drills:



**THINK
OUTSIDE
THE
BOX**



MAS
TOOLS & ENGINEERING

MAS GmbH
Schmigalla Straße 1
71229 Leonberg
Tel +49 7152-6065-0
Fax +49 7152-6065-65
zentrale@mas-tools.de
www.mas-tools.de

